

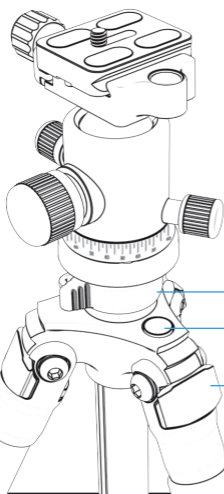
TP-CF62



**62 INCH CARBON FIBER TRIPOD  
WITH 360 DEGREE CAMERA MOUNT**

## INTRODUCTION:

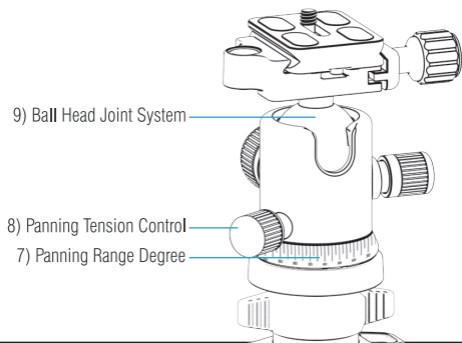
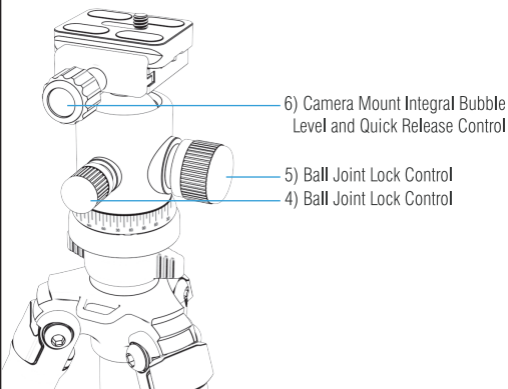
The Sabrent Carbon Fiber Tripod makes for the perfect companion for any photographer with its lightweight design. Featuring three section tripod legs with two adjustable height flip lock controls made of impact resistant materials. Having multiple integral bubble levels on the camera mount and also the tripod legs gives you the ability to use this on any terrain. The ability to use as a monopod with a removable center column and also quick release camera mount. Having a separate head and pan lock gives you individual head tension.

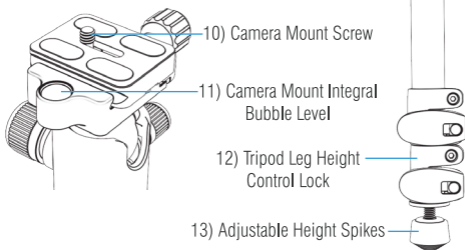


3) Center Column Tension Knob

2) Integral Bubble Level

1) Individual Leg Angle Lock





## PACKAGE CONTENTS:

- Carbon Fiber Tripod
- Carrying Case
- User Manual

## FEATURES:

- Sleek Carbon Fiber Construction
- Compact Lightweight Design of 3.5lbs
- Foam Grip on Monopod Leg
- 360-Degree Panning Scale for Accurate Image Alignment
- Quick Release Plate and Ball Head Joint System
- Integral Bubble Level to Prevent Uneven Panning

## SPECIFICATIONS:

MAX HEIGHT: 62"

MAX HEIGHT COLUMN RETRACTED: 52"

FOLDED HEIGHT: 25"

WEIGHT LIMIT: 11lbs