



# ROCKET NVMe 4.0

---

## HIGH PERFORMANCE PCIe 4.0 M.2 SSD



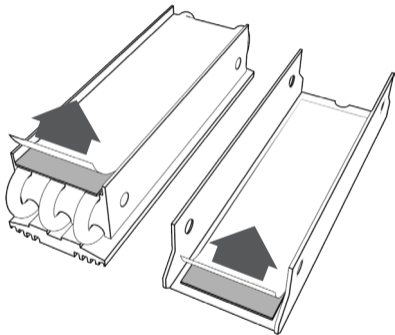
SABRENT ROCKET SERIES INSTALLATION GUIDE

# SABRENT ROCKET HEATSINK INSTALLATION GUIDE

When installing any NVMe PCIe GEN 4 directly onto a PCIe GEN 4 motherboard, a heatsink is required to dissipate the heat generated by the drive's extreme speed levels to avoid thermal throttling and to maximize the performance. Many PCIe GEN 4 motherboards are sold with a built in heatsink, so you're good to go without an added heatsink. Just follow the manufacturer's user manual for the installation instructions. If your motherboard does not have a built in heatsink, we recommend using the **Sabrent Rocket Heatsink** for optimal performance.

NVMe PCIe extreme speeds generate excessive heat, to help dissipate the heat. **Sabrent** has developed a state of the art heatsink using the winning combination of copper and aluminum. The copper is used to absorb the heat from the drive, spreading it up to the grooved aluminum, giving the heat more air surface to cool off, therefore avoiding thermal throttling and maximizing the performance of your drive.

**1.** Make sure to remove the clear thermal tape protector from the thermal tape, placed both on the heatsink and on the tray, prior to placing the drive in the tray.



2. Identify if your SSD is a single sided or double-sided M.2 drive

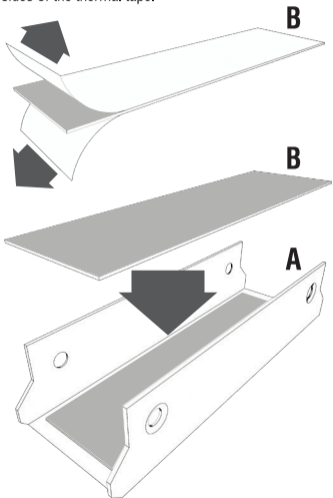
## SINGLE SIDED



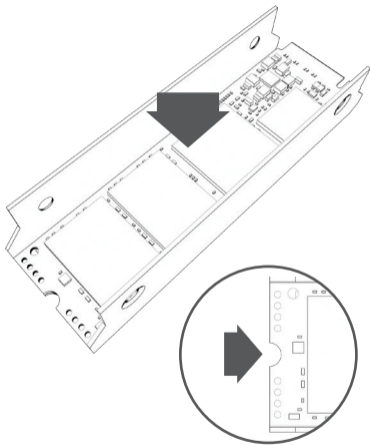
## DOUBLE SIDED

3. If your drive is a single sided drive please continue to step 4.
4. If your drive is double sided please skip to step 5.

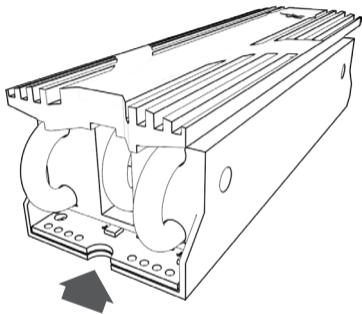
**4.** If your drive is a single sided drive apply the extra thermal tape provided (**B**) on top of the thermal tape that is already placed on the tray (**A**) after removing the clear protector from all sides of the thermal tape.



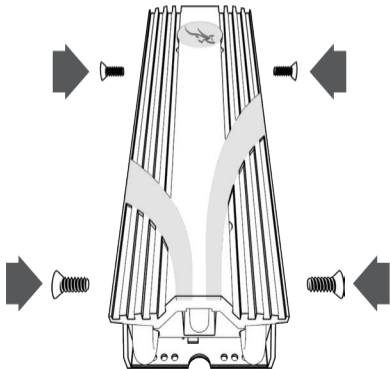
**5.** Place the SSD in the tray on the thermal tape and make sure the groove meant for the screw placed in the back of the drive is flush with the same groove that is in the back of the aluminum tray.



**6.** Attach the tray with the drive to the heatsink ensuring that the side with the uneven coils are on the back, on the side of the groove meant for the screw.



7. Align the holes that are on the side of the tray with the screw holes that are on the side of the heatsink (you may need to apply pressure). Then, insert 2 screws on each side.







## SABRENT ROCKET NVME M.2 DESKTOP INSTALLATION GUIDE AS A PRIMARY DRIVE (NEW SYSTEM)

Installation by a professional desktop computer technician is recommended. Before continuing with the installation process, it is your responsibility to review any warranty policy and instructions provided by your motherboard and computer manufacturer to ensure you follow proper procedures to install your storage device. Some manufacturers may void or limit your motherboard or computer warranty if you proceed with the installation of a new storage device. Accordingly, by proceeding with any installation, you agree to be solely responsible for any failure to follow any manufacturer's instructions.

### REQUIRED TOOLS AND PARTS

1. Screwdriver appropriate to the type of screw used for fastening the M.2 device, and the appropriate screwdriver or tool for opening your desktop computer.
2. One screw for fastening the M.2 device to the motherboard.



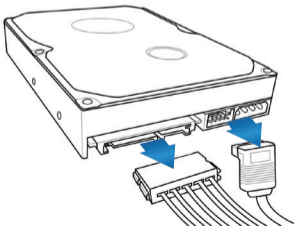
**Note:**

The necessary screw or hardware for fastening an M.2 device to the motherboard may have been included with your motherboard. If this has not been included, contact your motherboard manufacturer or computer system manufacturer for this information.

**Note:**

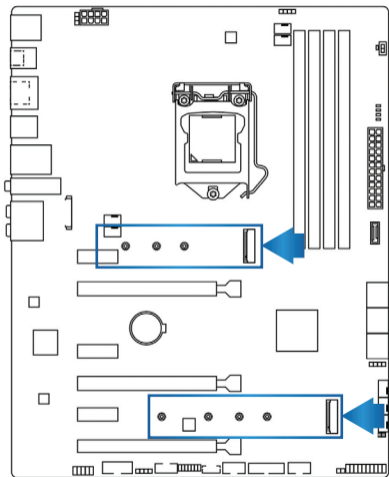
Depending on the type of hardware used by your motherboard to fasten an M.2 device, a motherboard style stand-off screw may be required and may be included with your motherboard.

1. As a precaution, always back up your data to another storage device before you or anyone else begins any type of work on your computer system.
2. Disconnect and remove any existing storage devices connected to the motherboard or in the drive bay(s).

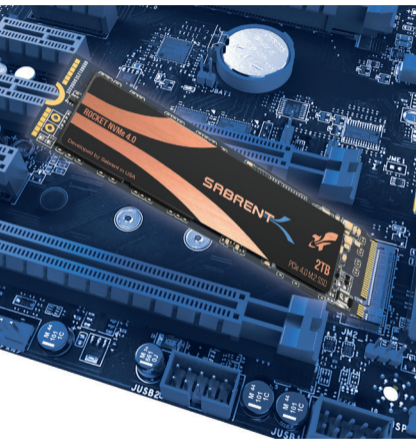


- 3. Power on your PC and access the motherboard BIOS.**  
Accessing your motherboard BIOS requires the press of a key or combination of keys on your computer system's attached keyboard during the preliminary stages of your computer system boot process. Reference your motherboard or system manufacturer for the exact keyboard sequence.
- 4. Once you have accessed the BIOS, make sure that a PCIe device is set in the BIOS boot sequence or boot priority list.**  
Reference your motherboard user manual or computer system user manual for information regarding the boot sequence and detecting boot devices, for booting from an M.2 device.
- 5. Save these BIOS settings and exit.**
- 6. Power down your PC.**  
This may require disconnecting the power cord from your PC. Confirm with your system or motherboard manufacturer for the best power-down process when connecting new hardware to the motherboard.

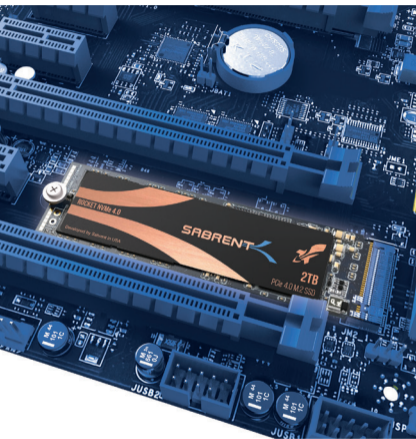
- 7. Locate the M.2 slot on your motherboard.**  
Please reference your motherboard user manual for detailed location and orientation of the M.2 slot.



8. Insert the **Sabrent ROCKET NVMe M.2 SSD** device pin-side first into the M.2 slot as is illustrated below.



9. Fasten the opposite end of the **Sabrent ROCKET NVMe M.2 SSD** to the motherboard with the necessary screw or hardware, as is illustrated below.



**10. Begin your Microsoft Windows installation**

Microsoft Windows® 8.1 or Microsoft Windows® 10 is recommended for proper PCIe / M.2 boot and installation support.



## SABRENT ROCKET NVME M.2 INSTALLATION GUIDE AS A SECONDARY DRIVE

1. Attach the **Sabrent ROCKET NVMe M.2 SSD** as a secondary drive and load Windows® from your existing drive.
2. In Windows 7® and earlier, open 'Disk Management' by right clicking on 'Computer' and selecting 'Manage', then 'Disk Management'. In Windows 8® and later, move the mouse to the lower left corner of your desktop and right click on the **Start Icon**, then select 'Disk Management'.
3. When Disk Management opens, a pop-up should appear and prompt you to initialize the SSD.
4. Select MBR (Master Boot Record) or GUID partition table (GPT) and click OK. MBR is best for certain legacy software compatibility, while GPT is better for modern systems.
5. Right click in the area that says **Unallocated** and select **New Simple Volume...**
6. The **New Simple Volume Wizard** will open, click **Next**
7. Leave the Specify Volume Size as the maximum (default value) and click **Next**
8. Select a **Drive Letter** and click **Next**
9. In the **Format Partition** screen, decide on a **Volume label** (the name you want to give the drive) and click **Next**  
The drive is now formatted and ready for use

## **LEGAL DISCLAIMER**

SABRENT RESERVES THE RIGHT TO CHANGE PRODUCTS, INFORMATION AND SPECIFICATIONS WITHOUT NOTICE.

Products and specifications discussed are for reference purposes only. All information discussed herein may change without notice and is provided on an "AS IS" basis, without warranties of any kind. This document and all information discussed herein remain the sole and exclusive property of Sabrent. Sabrent products should not be used in critical care, life support, medical, safety equipment, or similar applications where product failure may result in loss of life or personal or physical harm, or any military or defense application, or any government procurement to which special terms may apply. For additional information about Sabrent products please visit Sabrent.com. All brand names, trademarks and registered trademarks belong to their respective owners.

Copyright 2019 Sabrent. All rights reserved.

## **BACKUP AND WARRANTY ON IMPORTANT DATA**

Sabrent does not provide any warranty for data stored on any Sabrent product under any circumstances. Sabrent is not responsible for material or mental damages etc., from any loss or recovery of data stored.

## **SHOCK**

Protect the device against any heavy shocks. This may cause the device to malfunction or could cause data loss.

## **DISASSEMBLY, DAMAGE, AND REMOVAL**

Do not disassemble the product or damage or remove any stickers or labels attached to the product. Product warranty is void if the unit is disassembled, damaged, or the labels or sticker are removed.

## **Warranty Policy**

SABRENT warrants to the purchaser of the Product in its original sealed packaging ("You") that the Product is free from defects in material and workmanship, subject to the conditions stated below, for THE LIMITED WARRANTY PERIOD, BEGINNING ON THE DATE THE PRODUCT WAS

**PURCHASED IN ITS ORIGINAL SEALED PACKAGING.**

In the event that a valid proof of purchase is not available, the limited warranty period will be determined by the date of manufacture. In the event SABRENT determines, in its sole discretion, that the Product suffers from defects in material or workmanship and does not conform to the published specifications for normal use and wear, for as long as You own the Product and during the limited warranty period, and subject to the conditions and exceptions stated in this Agreement, SABRENT will, at its option, either: (1) refund the then current market value of the Product at the time the warranty claim is made to SABRENT if SABRENT is unable to repair or replace the Product; or (2) repair or replace the Product with new or refurbished Product of equal or greater capacity and functionality.

In the case of replacements, SABRENT may replace Your Product with one that was previously used, repaired and tested to meet SABRENT specifications. The warranty period for repaired and replaced products will be applied for the longer of the remainder of the original warranty period or ninety (90) days. The returned Product for replacement service will not be sent back to You. You should always back up the important data. This warranty is provided only to You and is not transferable.

### **Extent of the Limited Warranty**

The warranty stated herein shall NOT apply if: (i) the Product was not used in accordance with any accompanying instructions, (ii) the Product was not used for its intended function and environment (iii) any failure or defect arose out of the presence of a third party product, software or component, whether authorized or not, (iv) any failure or defect was a result of improper installation or testing, misuse, neglect, unauthorized repair, modification, accident, or other external causes, OR (v) there exist any other circumstances which SABRENT determines is evidence of a breach of this Agreement by You. You acknowledge and agree that the Product is not designed for and shall not be used in, including without limitation, life support systems, critical care, medical or safety equipment, or other applications where failure could result in loss of life or personal or physical harm, or any military or defense application, or any governmental

procurement to which special terms or provisions may apply. Accordingly, SABRENT disclaims any and all liability in connection with, arising out of, or related to, any such use of the Product and you assume all risks rising from any such or similar application of the Product. SABRENT'S warranty does NOT cover any costs and expenses relating to SSDs' overhaul/assembly and data recovery for repairs or replacements. SABRENT's warranty also does NOT cover Products which, by way of example, have been received improperly packaged, altered, or physically damaged. Products will be inspected upon receipt. You can refer to a non-exhaustive list of examples of the warranty exclusions below:

- Improperly packaged or shipped, including use of non-qualified shipping container;
- Any alterations, modifications, or physical damage of the Product, including but not limited to, deep scratches;
- Any alterations, modifications, or removal of any SABRENT labels or barcodes on the Product;
- Opened SSD casing; or
- Tampered or missing tape seal or serial number.

This equipment has been tested and found to comply with part 15 of the FCC rules. For indoor use only. FCC Caution: Any changes or modifications not expressly approved by the party responsible for compliance could void the user's authority to operate this equipment.

#### **State of California Proposition 65 Warning (US Only)**

**WARNING:** This product contains chemicals known to the State of California to cause cancer and birth defects or other reproductive harm.

## Product Warranty Period

| Product Model Number | Capacity | Product Warranty Period  |
|----------------------|----------|--|
| SB-ROCKET-NVMe4-500  | 500GB    | <b>1 Year Standard Warranty without product registration.</b><br><br><b>5 Year Warranty with free product registration if registered within 90 days of purchase.</b> |
| SB-ROCKET-NVMe4-1TB  | 1000GB   |  |
| SB-ROCKET-NVMe4-2TB  | 2000GB   |  |

To register your product please visit  
<https://www.sabrent.com/product-registration/>

# SABRENT SECTOR SIZE CONVERTER FOR CLONING EXISTING SSDS/HDDS

**DOWNLOAD**

[www.sabrent.com/download/sb-rocket/](http://www.sabrent.com/download/sb-rocket/)

## INTRODUCTION

**Sabrent's Sector Size Converter** enables you to change the drive's sector size, which is necessary under certain data cloning scenarios. It enables re-formatting of the **Rocket** drive with either a 512-byte or a 4096-byte sector.


**Please note that this process destroys all the data on the drive being converted. Make sure to backup your data onto another drive before you begin this process.**

After the process is complete, you must reboot (sometimes even power off) your computer.

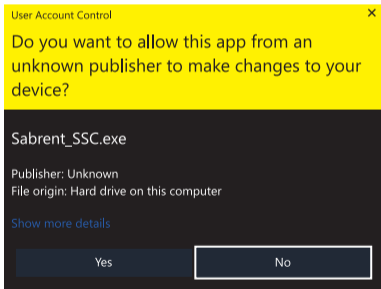
This step is necessary for your computer's BIOS and operating system to detect the change, which is usually done only once during the booting process. If you are using an external Sabrent drive, you can try disconnecting and reconnecting it for the settings to take effect.

## HOW TO USE IT

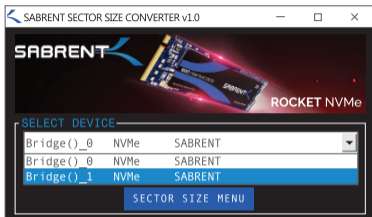
Open up the utility by right-clicking on it and selecting “**Run as Administrator**”. It is a portable application, so no software installation is required.

| <input type="checkbox"/>            | Name   | Date modified     | Type        | Size     |
|-------------------------------------|--|-------------------|-------------|----------|
| <input checked="" type="checkbox"/> |  Sabrent_SSC.exe | 6/5/2019 10:40 AM | Application | 33,745KB |

When the **USER ACCOUNT CONTROL** window pops up, click on **YES** (the program must run in **Administrator Mode** to work properly.)



From the drop-down menu, select the drive you want to convert.

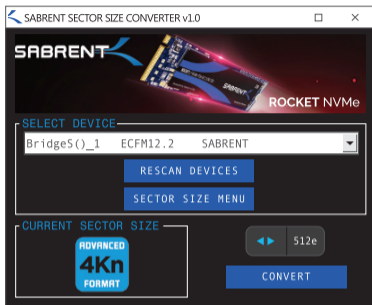


If it does not automatically turn on, click on the **SECTOR SIZE MENU** button.





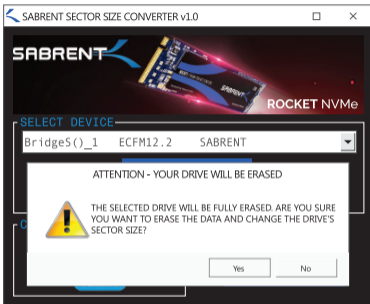
Use the toggle-switch to select the preferred sector size, either 512 bytes or 4096 bytes.



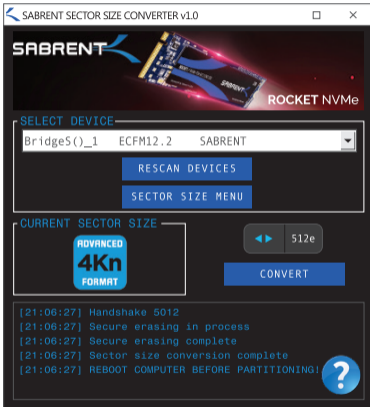
Click on the **CONVERT** button.

Click on **YES** to confirm or **NO** to cancel.

This step is here to remind the user that the conversion process erases **all** data on the drive.



After the process is complete, you must reboot (or even power off) your computer. This is necessary for your computer's BIOS and operating system to detect the change, which is usually done only once during the booting process.





**Please contact our Technical Support Team  
for additional troubleshooting**

[WWW.SABRENT.COM](http://WWW.SABRENT.COM)