



USB 3.2 RUGGED WATERPROOF ENCLOSURE FOR PCIe NVMe M KEY M.2 SSD



EC-WPNE / USER MANUAL

Environment

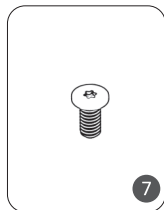
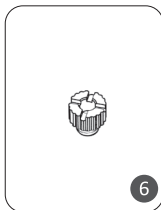
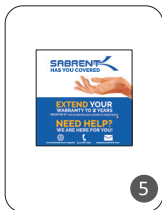
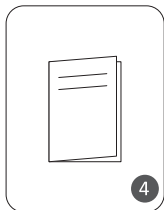
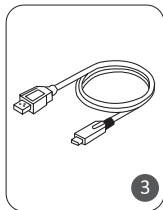
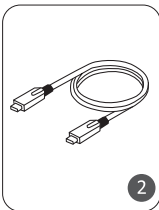
Operating temperature: 5°C~55°C

System Requirements:

- Windows
- Mac

Features:

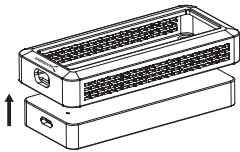
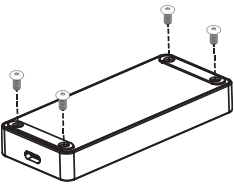
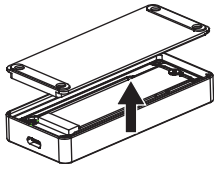
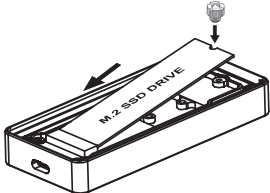
- Fully compliant with the IP67 specification.
- Protected from immersion in fresh water with a depth of up to 1 meter (or 3.3 feet) for up to 30 mins.
- Rugged design: 1 meter drop tested.
- Sealed against harmful dust.
- USB3.2 Gen.2 Enclosure for PCIe NVMe M key M.2.
- Compatible with Size: 2242/2260/2280.
- LED signals to display connection status.
- Plug and play. automatically installs drivers.
- Bus powered. Does not need external power.

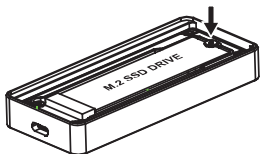
PACKAGE CONTENTS:

1. USB Type-C Enclosure (IP67).
2. USB 3.2 Gen.2 Type C to Type C Cables 0.5 Meter x1.
3. USB 3.2 Gen.2 Type C to Type A Cables 0.5 Meter x1.
4. User's manual x1.
5. Warranty card x1.
6. M2.5 Threaded Spacer x1.
7. M2.5 Screw x1.

Solid State Disk NOT included.

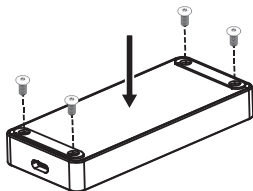
SSD INSTALLATION:

	<p>Step. 1</p> <p>Remove the SSD Enclosure bumper.</p>
	<p>Step. 2</p> <p>Use a screw driver to remove the screw.</p>
	<p>Step. 3</p> <p>Open the bottom cover.</p>
	<p>Step. 4</p> <p>Install the M2.5 threaded spacer and then at a 45-degree angle, slide in your SSD until it is properly seated</p>



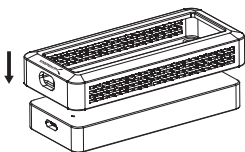
Step. 5

Screw in retainer screw to hold you SSD in place.



Step. 6

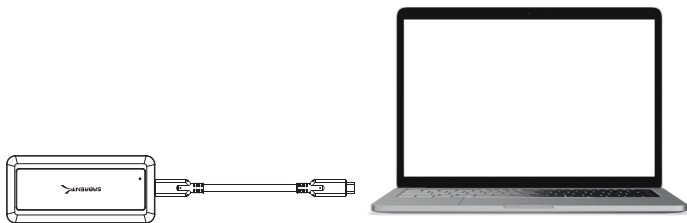
Reattach bottom plate and fasten the screws in place.



Step. 7

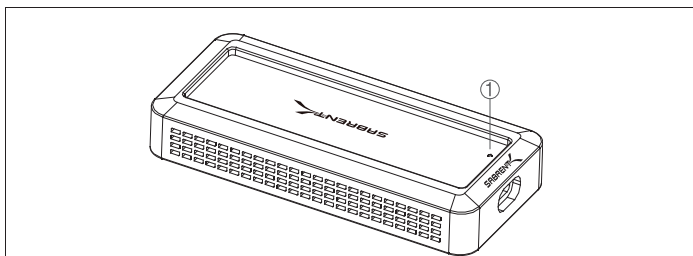
Add the SSD enclosure bumpe

COMPUTER CONNECTION OPERATION:



Connect USB Cable to both the device and the computer

LED INDICATORS:



#	Color	Function	Description
①	Blue	Power LED	Solid Blue for power on.
		Activity LED	Flashing Blue LED for activity.

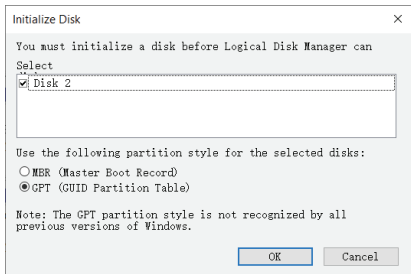
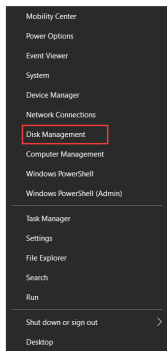
RUNNING WINDOWS GUIDE:

Right-click the Start Menu and choose “Disk Management” from the contextual menu that appears.

Step 1:

When the Disk Management window opens, you may see a pop-up window that states: “You must initialize a disk before the Logical Disk Manager can access it.” This is most common with drives that have never been used and still have their factory configurations intact. If you see this message, choose the Master Boot Record (MBR) option for drives 2TB or smaller. Choose the GUID Partition Table (GPT) option for drives larger than 2TB.

Once you’ve chosen a partition scheme, click OK. If you do not see this message box move to Step 2.



Step 2:

Find the drive you want to format; it will be listed in the bottom half of the Disk Management window. The drive should be displayed as “Unallocated” if it has never been used before.

Select the disk by clicking within the region displayed as “Unallocated,” then right-click and choose “New Simple Volume.”

The screenshot shows the Windows Disk Management console. At the top, a table lists all volumes. Below, three disks are shown: Disk 0, Disk 1, and Disk 2. Disk 2 is highlighted, showing a large unallocated space. A right-click context menu is open over the unallocated space, with 'New Simple Volume...' selected.

Volume	Layout	Type	File System	Status	Capacity	Free S...	% Free
(Disk 0 partiti...	Simple	Basic		Healthy ...	260 MB	260 MB	100 %
(Disk 0 partiti...	Simple	Basic		Healthy ...	1000 MB	1000 ...	100 %
Lenovo (D:)	Simple	Basic	NTFS	Healthy ...	231.71 GB	54.52 ...	24 %
LENOVO_PART	Simple	Basic	NTFS	Healthy ...	14.62 GB	3.37 GB	23 %
Windows_OS (...)	Simple	Basic	NTFS	Healthy ...	117.02 GB	17.69 ...	15 %
WINRE_DRV	Simple	Basic	NTFS	Healthy ...	1000 MB	467 MB	47 %
新加卷 (E:)	Simple	Basic	NTFS	Healthy ...	200.00 GB	41.19 ...	21 %
新加卷 (F:)	Simple	Basic	NTFS	Healthy ...	485.18 GB	231.46...	48 %

Disk	Layout	Type	File System	Status	Capacity	Free S...	% Free
Disk 0	260 MB	Basic	Windows_OS (C:)	Healthy (Boot, Page File, Crash Dur	119.23 GB	117.02 GB NTFS	100 %
Disk 1	231.71 GB NTFS	Basic	新加卷 (E:)	Healthy (Primary Partition)	931.51 GB	200.00 GB NTFS	21 %
Disk 2	953.85 GB	Basic	新加卷 (F:)	Healthy (Primary Partition)	953.85 GB	485.18 GB NTFS	51 %
	Unallocated	Basic	LENOVO PART	Healthy (OEM Partit		14.62 GB NTFS	23 %

Step 3:

The New Simple Volume Wizard will appear. Click Next to move to the first setting. The Specify Volume Size field should be set to use the full amount of space available by default. If you wish to set up a smaller disk size, you can change the setting here. Click Next once the Simple volume size is set

New Simple Volume Wizard
×

Specify Volume Size
Choose a volume size that is between the maximum and minimum sizes.

Maximum disk space in MB:	976745	
Minimum disk space in MB:	8	
Simple volume size in MB:	<input style="width: 80%;" type="text" value="976745"/>	

< Back
Next >
Cancel

Step 4:

The New Simple Volume Wizard will ask you to assign a drive letter. Based on the drives present in your PC and the letters they use, the next available letter will be chosen by default. You can use this letter or choose a different one from the pop-up menu. Once the drive letter is set, click Next.

New Simple Volume Wizard
×

Assign Drive Letter or Path
For easier access, you can assign a drive letter or drive path to your partition.

Assign the following drive letter: G ▾

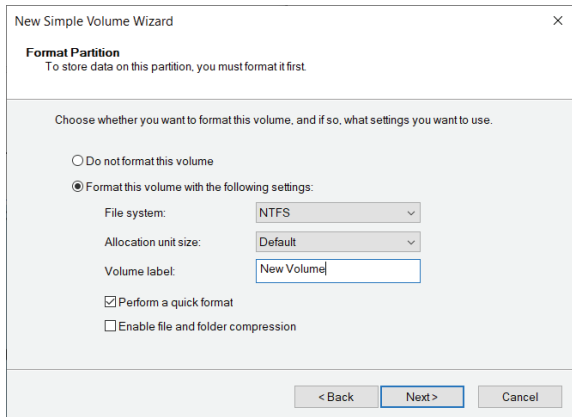
Mount in the following empty NTFS folder:
 Browse...

Do not assign a drive letter or drive path

< Back
Next >
Cancel

Step 5:

Before you name the drive for easy recognition, make sure the “File system” option is set to NTFS — this is the standard format for Windows drives. You can leave the “Allocation unit size” option set to Default for general purpose use. Next, enter the drive name in the “Volume label” field. It is a good practice to use only letters, spaces, underscores, dashes, and numbers. For general purpose use, leave the default “Perform quick format” option checked, and leave the “Enable file and folder compression” option unchecked. Once these options are set, click Next.



The screenshot shows the 'New Simple Volume Wizard' dialog box, specifically the 'Format Partition' step. The title bar reads 'New Simple Volume Wizard' with a close button (X) on the right. Below the title bar, the text 'Format Partition' is displayed in bold, followed by the instruction 'To store data on this partition, you must format it first.' The main area of the dialog contains the instruction 'Choose whether you want to format this volume, and if so, what settings you want to use.' There are two radio button options: 'Do not format this volume' (unselected) and 'Format this volume with the following settings:' (selected). Under the selected option, there are three settings: 'File system:' set to 'NTFS' (dropdown menu), 'Allocation unit size:' set to 'Default' (dropdown menu), and 'Volume label:' with the text 'New Volume' entered in a text box. Below these settings are two checkboxes: 'Perform a quick format' (checked) and 'Enable file and folder compression' (unchecked). At the bottom of the dialog, there are three buttons: '< Back', 'Next >' (highlighted with a blue border), and 'Cancel'.

Step 6:

The final step is to view your new drive in the Disk Management window. You should no longer see an unallocated space, and the old disk name should be replaced by the new label you chose in Step 5.

CONGRATULATIONS, YOU ARE NOW READY TO USE YOUR NEWLY FORMATTED WINDOWS DRIVE!

Disk Management

File Action View Help

Volume	Layout	Type	File System	Status	Capacity	Free S...	% Free
— (Disk 0 partiti...	Simple	Basic		Healthy ...	260 MB	260 MB	100 %
— (Disk 0 partiti...	Simple	Basic		Healthy ...	1000 MB	1000 ...	100 %
— Lenovo (D:)	Simple	Basic	NTFS	Healthy ...	231.71 GB	54.52 ...	24 %
— LENOVO_PART	Simple	Basic	NTFS	Healthy ...	14.62 GB	3.37 GB	23 %
— New Volume (...)	Simple	Basic	NTFS	Healthy ...	953.85 GB	953.72...	100 %
— Windows_OS (...)	Simple	Basic	NTFS	Healthy ...	117.02 GB	17.69 ...	15 %
— WINRE_DRV	Simple	Basic	NTFS	Healthy ...	1000 MB	467 MB	47 %
— 新加卷 (E:)	Simple	Basic	NTFS	Healthy ...	200.00 GB	41.19 ...	21 %
— 新加卷 (F:)	Simple	Basic	NTFS	Healthy ...	485.18 GB	231.46...	48 %

— Disk 0 Basic 119.23 GB Online	260 MB Healthy (EFI Sy:	Windows_OS (C:) 117.02 GB NTFS Healthy (Boot, Page File, Crash Dur	WINRE_DRV 1000 MB NTFS Healthy (OEM Partit	1000 MB Healthy (OEM Partit
— Disk 1 Basic 931.51 GB Online	Lenovo (D:) 231.71 GB NTFS Healthy (Page File, Primary I	新加卷 (E:) 200.00 GB NTFS Healthy (Primary Partition)	新加卷 (F:) 485.18 GB NTFS Healthy (Primary Partition)	LENOVO_PART 14.62 GB NTFS Healthy (OEM Partitic
— Disk 2 Basic 953.85 GB Online	New Volume (G:) 953.85 GB NTFS Healthy (Primary Partition)			

■ Unallocated ■ Primary partition

(Optional) Step 8a - Format Changes:

Once a drive has been formatted, if you need it to be readable by both Mac and PC, you can change the File System to ExFAT. This type works with both Windows Vista and later and OS X 10.7.5 and later.

To do this, just re-open the Disk Management window, select your drive, then right-click in the allocated space. Choose “Format...”

(Optional)

The screenshot shows the Windows Disk Management console. A table lists the disks and their partitions. A context menu is open over the '新加卷 (E:)' partition, with 'Format...' highlighted.

Volume	Layout	Type	File System	Status	Capacity	Free S...	% Free
(Disk 0 partiti...	Simple	Basic		Healthy ...	260 MB	260 MB	100 %
(Disk 0 partiti...	Simple	Basic		Healthy ...	1000 MB	1000 ...	100 %
Lenovo (D:)	Simple	Basic	NTFS	Healthy ...	231.71 GB	54.52 ...	24 %
LENOVO_PART	Simple	Basic	NTFS	Healthy ...	14.62 GB	3.37 GB	23 %
New Volume (...)	Simple	Basic	NTFS	Healthy ...	953.85 GB	953.72...	100 %
Windows_OS (...)	Simple	Basic	NTFS	Healthy ...	117.02 GB	17.69 ...	15 %
WINRE_DRV	Simple	Basic	NTFS	Healthy ...	1000 MB	467 MB	47 %
新加卷 (E:)	Simple	Basic	NTFS	Healthy ...	200.00 GB	41.19 ...	21 %
新加卷 (F:)	Simple	Basic	NTFS	Healthy ...	485.18 GB	231.46...	48 %

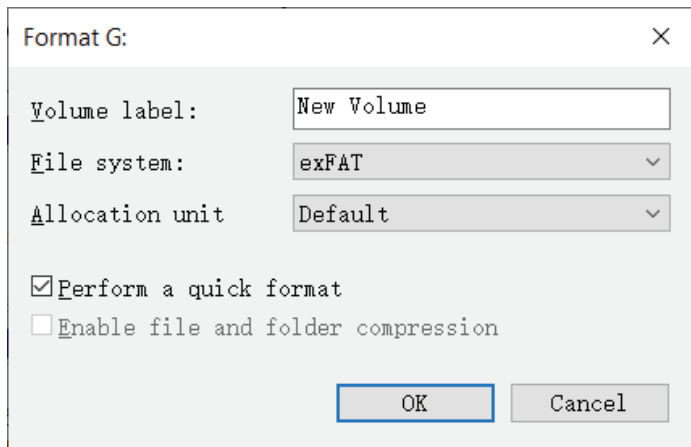
Disk	Capacity	Health	Partition	Capacity	File System	Health
Disk 0	119.23 GB	Online	Windows_OS (C:)	117.02 GB	NTFS	Healthy (Boot, Page File, Crash Dur...
Disk 1	931.51 GB	Online	Lenovo (D:)	231.71 GB	NTFS	Healthy (Page File, Primary I)
			新加卷 (E:)	200.00 GB	NTFS	Healthy (Primary Partit
Disk 2	953.85 GB	Online	New Volume (G:)	953.85 GB	NTFS	Healthy (Primary Partition)

Legend: ■ Unallocated ■ Primary partition

(Optional) Step 8b - Format Changes:

Once the Format window opens, simply change the File system option from NTFS to ExFAT, then click OK.

You will see a warning that “Formatting this volume will erase all data on it.” If you’re OK with this, click OK. Otherwise click Cancel, exit Disk Management and back up the files you need to back up, before returning to Disk Management to reformat the drive to ExFat.



Format G: ×

Volume label:

File system: ▾

Allocation unit ▾

Perform a quick format

Enable file and folder compression

**PLEASE CONTACT OUR TECHNICAL SUPPORT TEAM
FOR ADDITIONAL TROUBLESHOOTING**



WWW.SABRENT.COM