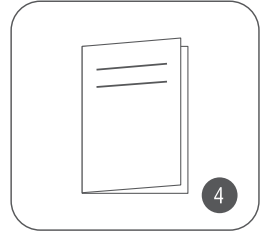
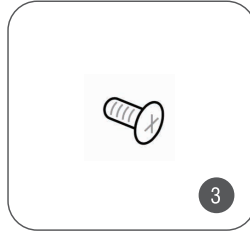
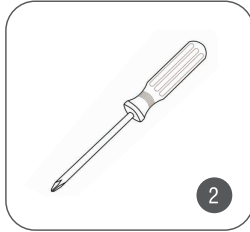
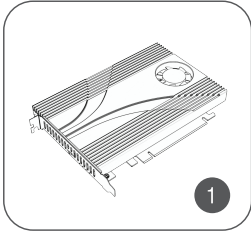


QUAD-DRIVE NVMe SSD TO PCIe 4.0 X16 CARD

(WITH ACTIVE COOLING)





PACKAGE CONTENTS





1. Quad-Drive NVMe SSD to PCIe 4.0 x16 card with active cooling
2. Screwdriver
3. All necessary screws for M.2 installation
4. User manual

NVMe DRIVES NOT INCLUDED

SYSTEM REQUIREMENTS

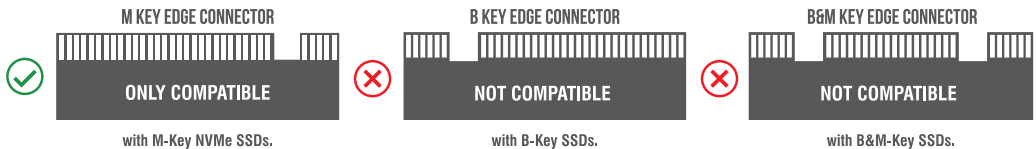
- Windows 10 or newer
- One empty PCIe x16 slot
- A motherboard and BIOS compatible with PCIe Bifurcation (also called PCIe Splitting) are required.
For instance: Intel VROC / AMD Ryzen NVMe RAID

NOTE: x16 PCIe slot required:

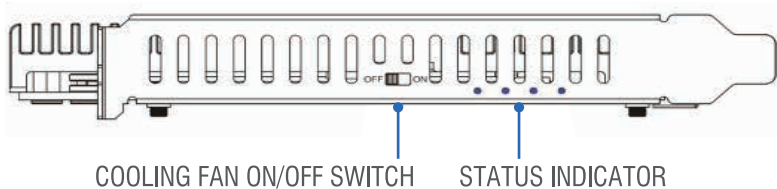
- x16  ✓
- x8  ✗
- x4  ✗
- x1  ✗

FEATURES

- Add up to four NVMe SSDs using only one PCIe x16 slot.
- Compatible with PCIe 4.0+ motherboards and backward compatible with PCIe 3.0 / 2.0 / 1.0.
- Support for industry standard form factors: 2230 / 2242 / 2260 / 2280.
- Aluminum constructions for maximum heat dissipation and a switchable cooling fan for high-performance environments.

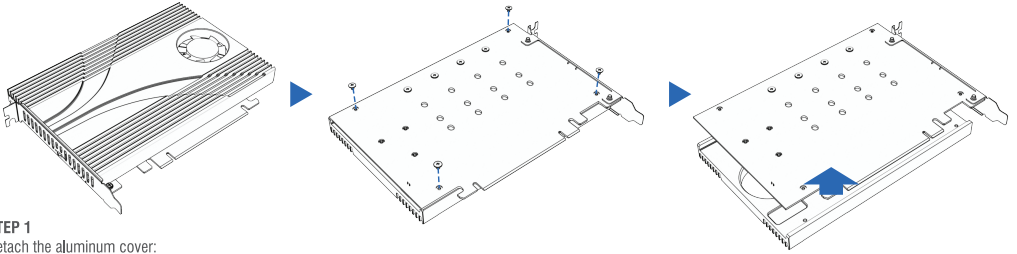


POWER STATUS AND COOLING FAN CONTROL



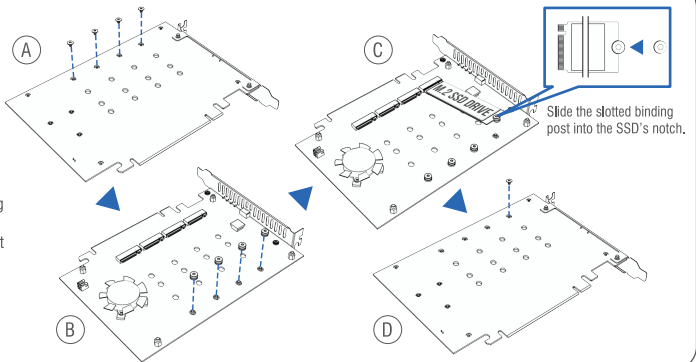
STATUS INDICATOR LED	Power On	Activity
	Solid Green	Flashing Green

SSD AND PCIe CARD INSTALLATION PROCEDURE

1

STEP 1

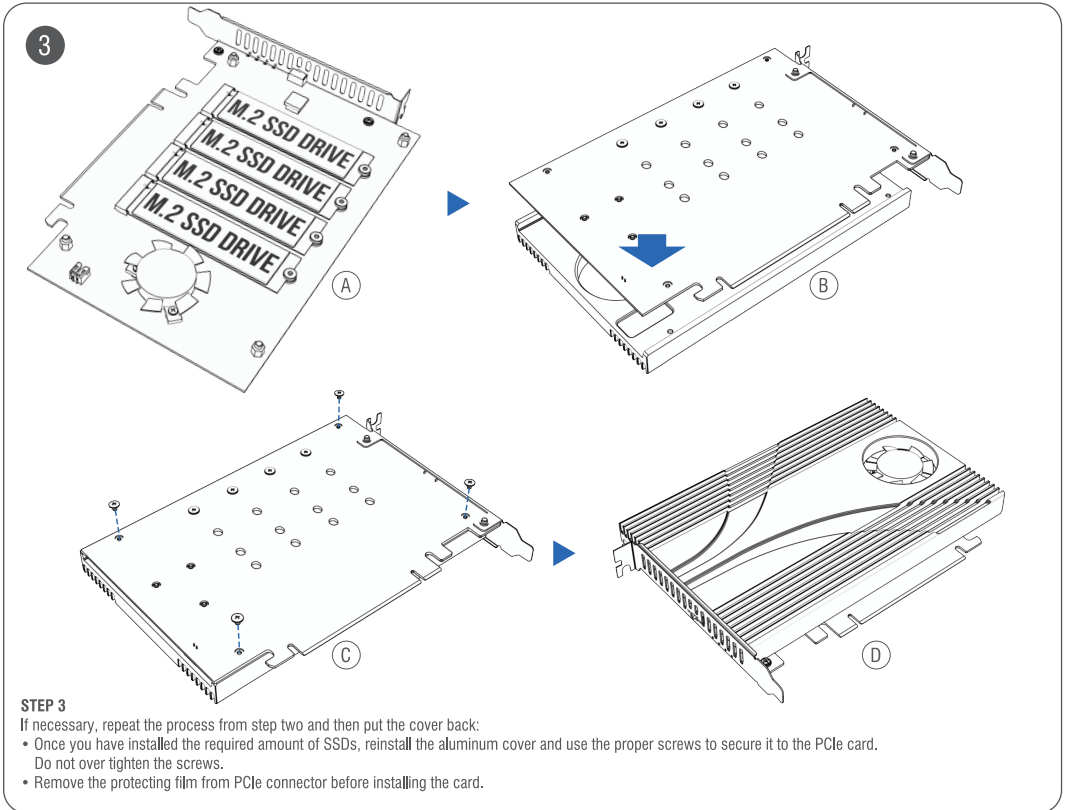
Detach the aluminum cover:

- Flip the card over and use a screwdriver to remove the four screws that keep the aluminum cover attached to the card's PCB.

2

STEP 2

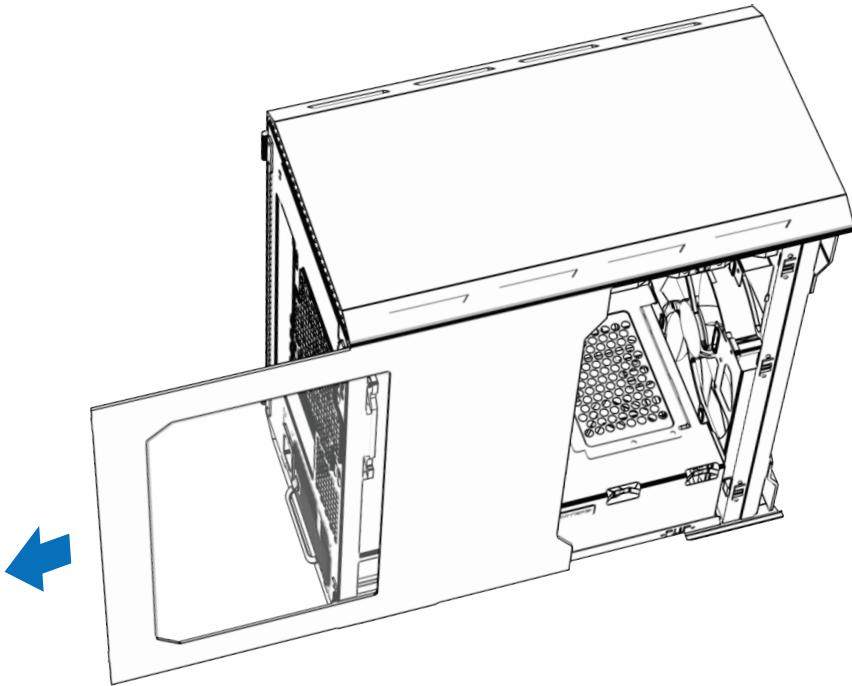
Remove only the necessary amount of slotted binding posts and screws and install the SSD:

- Depending on the amount and location of the SSDs that you are going to install, remove each corresponding slotted binding post and screw.
- At a 20 degree angle, slide the SSD into the M.2 socket until it is properly seated.
- Slide the slotted binding post into the SSD's notch located on the opposite side of the M.2 connector and lower the SSD. Holding it all in place, flip the card over and attach the screw to the slotted binding post.

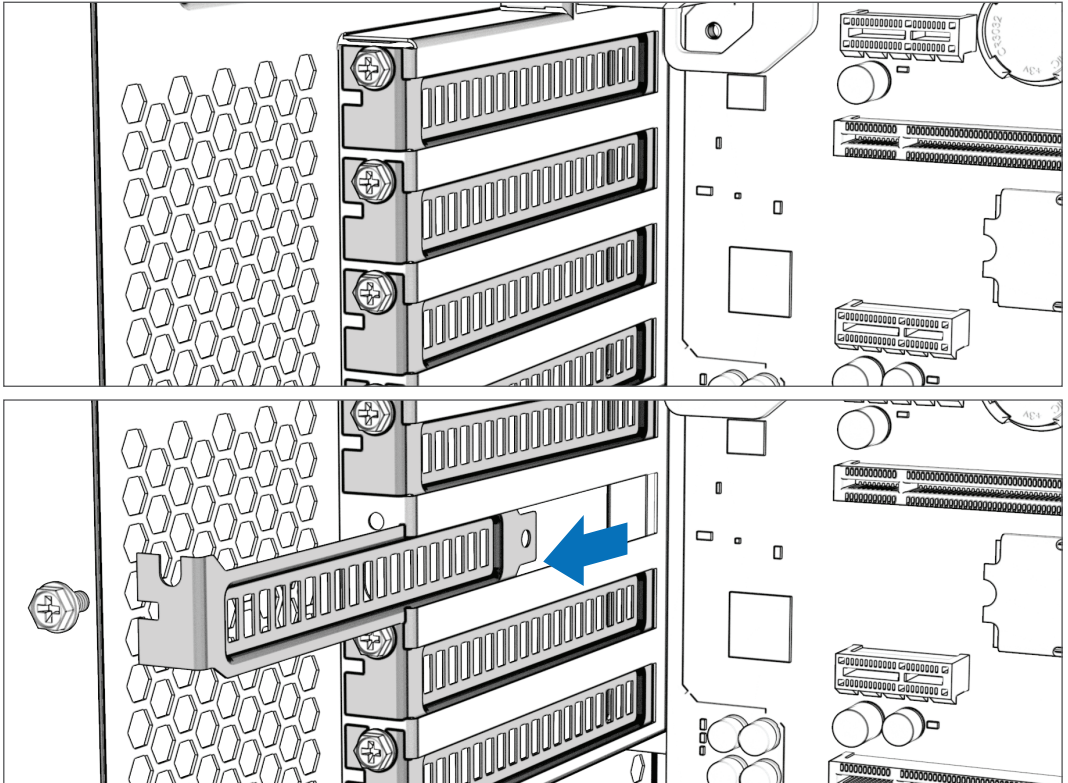


PCIe CARD INSTALLATION PROCEDURE

TURN OFF YOUR COMPUTER AND UNPLUG THE POWER CORD BEFORE INSTALLING THE CARD.

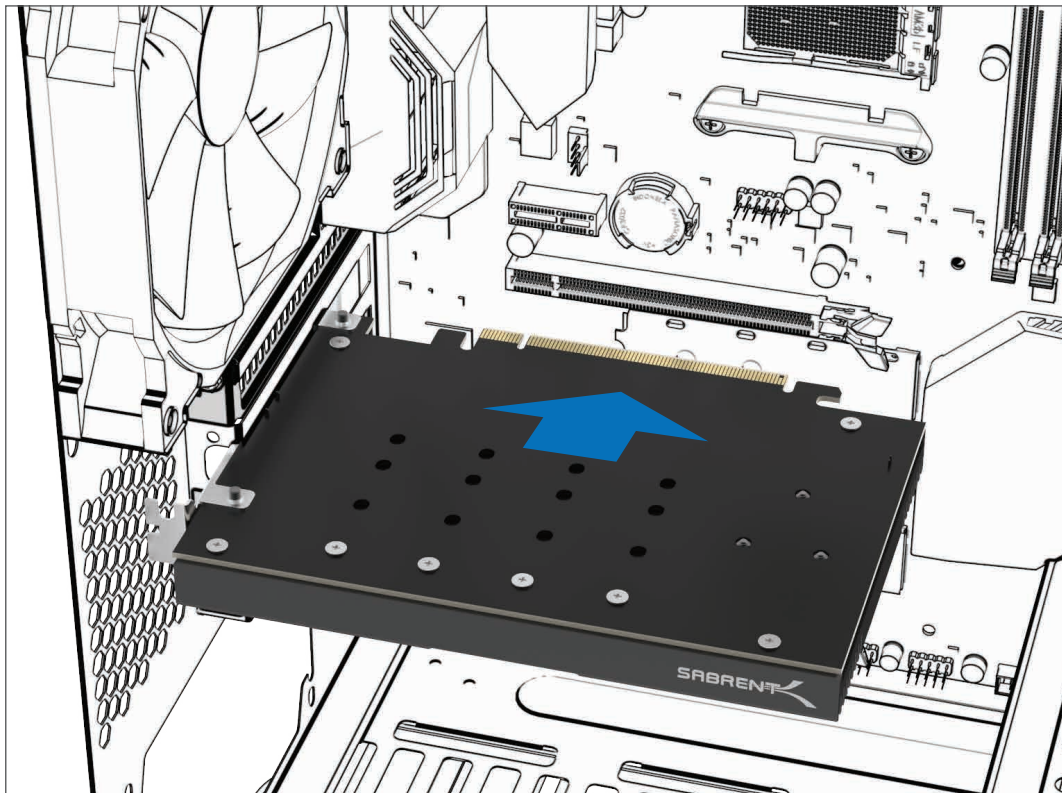


Remove the cover of your PC case to start the installation of the PCIe card

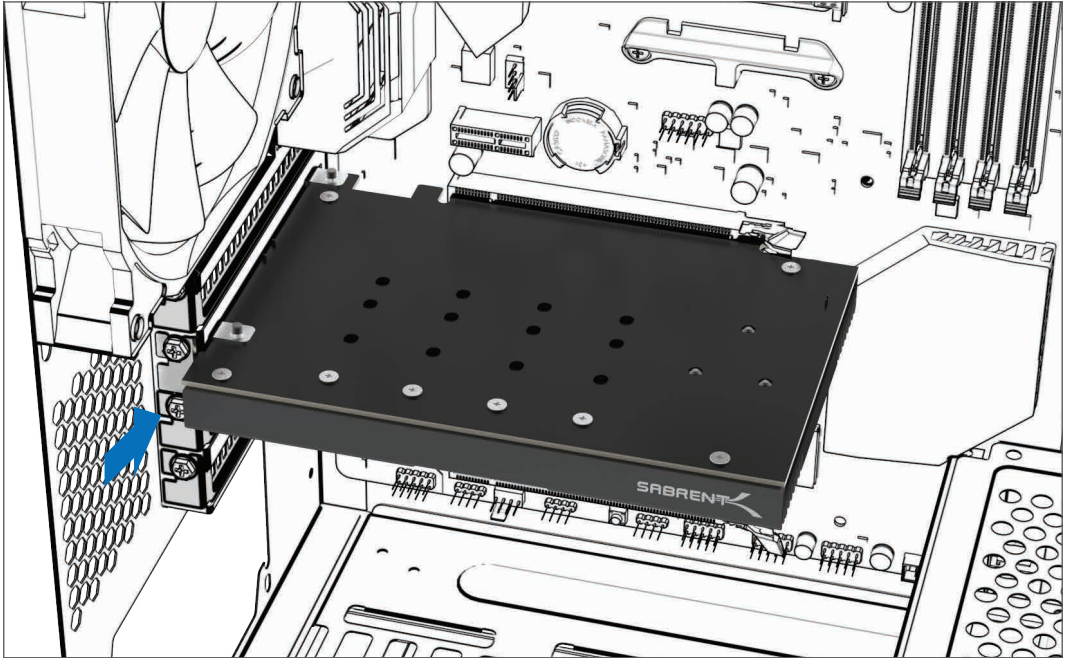


Remove the metal bay cover.

Each PCI slot will have a bay associated with it on the back of the computer. When there's nothing installed, the bays are usually covered by small metal protectors. You can remove one by unscrewing the single screw holding it in place and then lifting it directly out of the case. Set the screw aside.



Install the PCIe card into an empty x16 slot (it will not fit into any x8, x4, or x1 slots). Press the card firmly straight down into the slot. Ensure that the card is even and seated fully into the slot before continuing.



Secure the card. Use the screw that you removed from the metal bay cover and use it to secure the card. Tighten the screw firmly but not so tightly that it will strip later.

At this point, the physical installation is complete. Close your computer, reconnect the power cord and start your operating system. If your SSDs were pre-partitioned and pre-formatted, and your operating system is up to date, you should be able to see the new disks.

Power will be supplied by the motherboard. There is no need for any additional power connections.



FOR HELP, COMMENTS, QUESTIONS OR CONCERNS
PLEASE CONTACT OUR TECH SUPPORT TEAM VIA OUR WEBSITE
WWW.SABRENT.COM