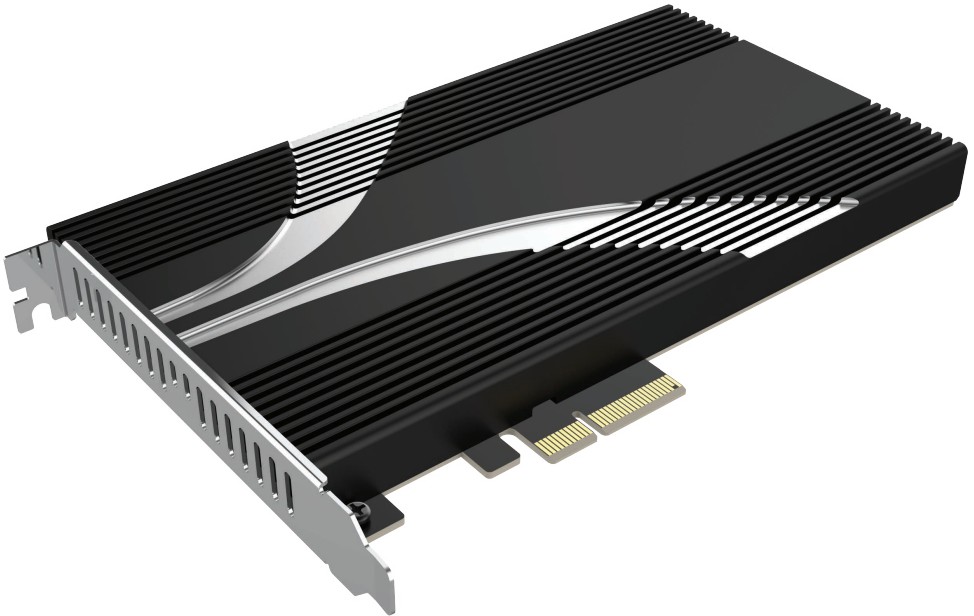
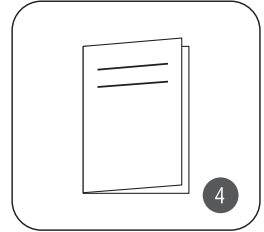
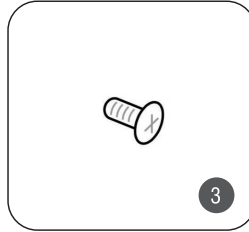
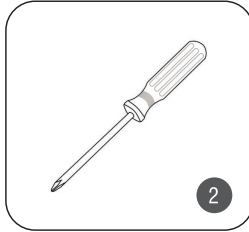
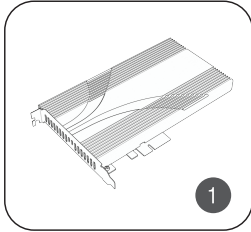


4-DRIVE NVMe SSD to PCIe 3.0 x4 CARD





PACKAGE CONTENTS

1. 4-Drive NVMe SSD to PCIe 3.0 x4 card
2. 1x Philips screwdriver
3. 1x screw for the card's bracket
4. User manual

NVMe DRIVES ARE NOT INCLUDED

SYSTEM REQUIREMENTS

- Windows 8.1 or higher
- macOS 10.3.3 or higher

NOTE: PCIe x4 (or bigger) slot required:

x16  ✓

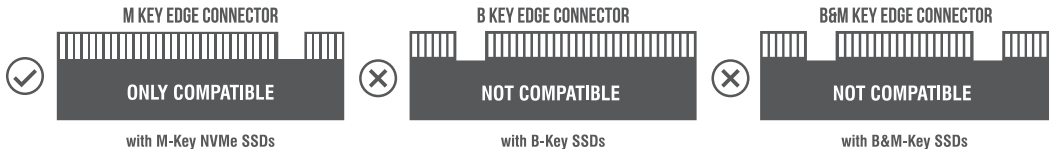
x8  ✓

x4  ✓

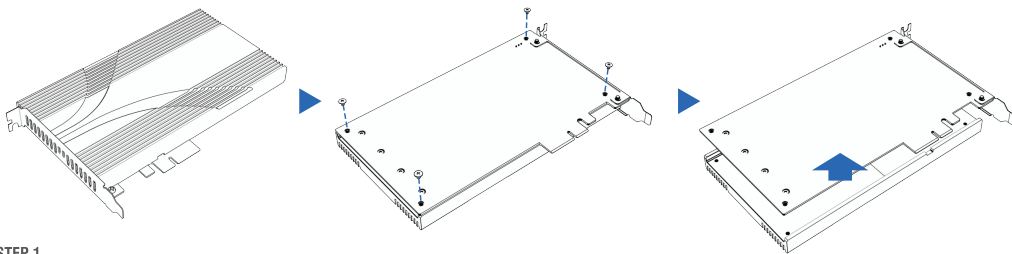
x1  ✗

FEATURES

- Add up to four NVMe SSDs using only one PCIe slot.
- Designed for use with M.2 2280 form factor SSDs.
- Compatible with PCIe 3.0 motherboards and backward compatible with PCIe 2.0 / 1.0.
- Aluminum construction for maximum heat dissipation and optimal performance.
- Ample support for legacy motherboards.
- Fits in PCIe x4, x8, or x16 slots, but not PCIe x1 slots.
- Compliant with sleep states S3 and S4.
- Active State Power Management (ASPM) protocol capable of L0s / L1 / L23 / L3 power states.
- L1 sub-states added to the PCIe specification to reach SSD power consumption goals and minimize latency.
- Latency Tolerance Reporting (LTR) enables lower power and longer exit latency power states.
- Advanced Error Reporting (AER) capability for a more robust PCI Express implementation.
- Separate Reference Clock with Independent Spread (SRIS) architecture on both upstream and downstream ports.
- PCIe maximum payload size is 512 bytes.

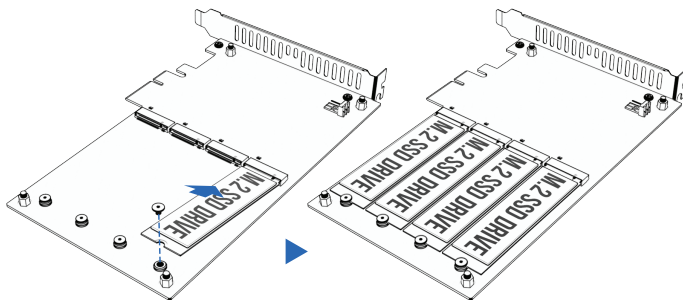


SSD AND PCIE CARD INSTALLATION PROCEDURE

1

STEP 1

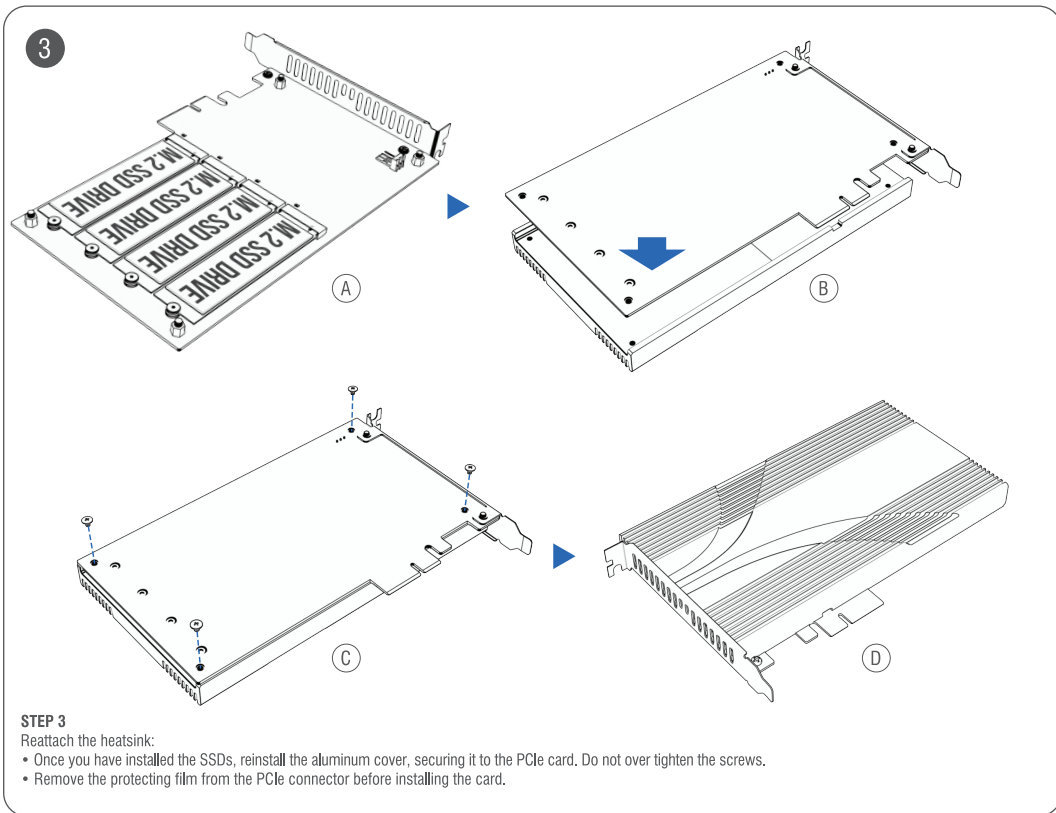
Detach the aluminum cover:

- Flip the card over and use a screwdriver to remove the four screws that keep the aluminum cover attached to the card's PCB.

2

STEP 2

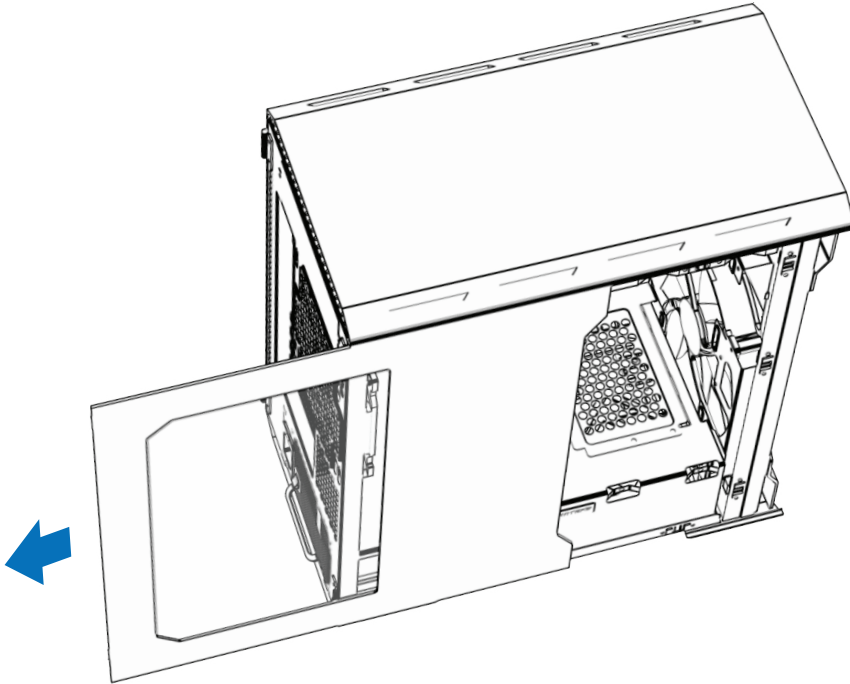
Remove the necessary amount of screws and then install the SSDs:

- Depending on the amount and location of the SSDs that you are going to install, remove each corresponding screw.
- At a 15 degree angle, slide the SSD into the M.2 socket until it is properly seated.
- Carefully lower the SSD and reinstall the screw. Do not over tighten the screw.
- Repeat the process as necessary.

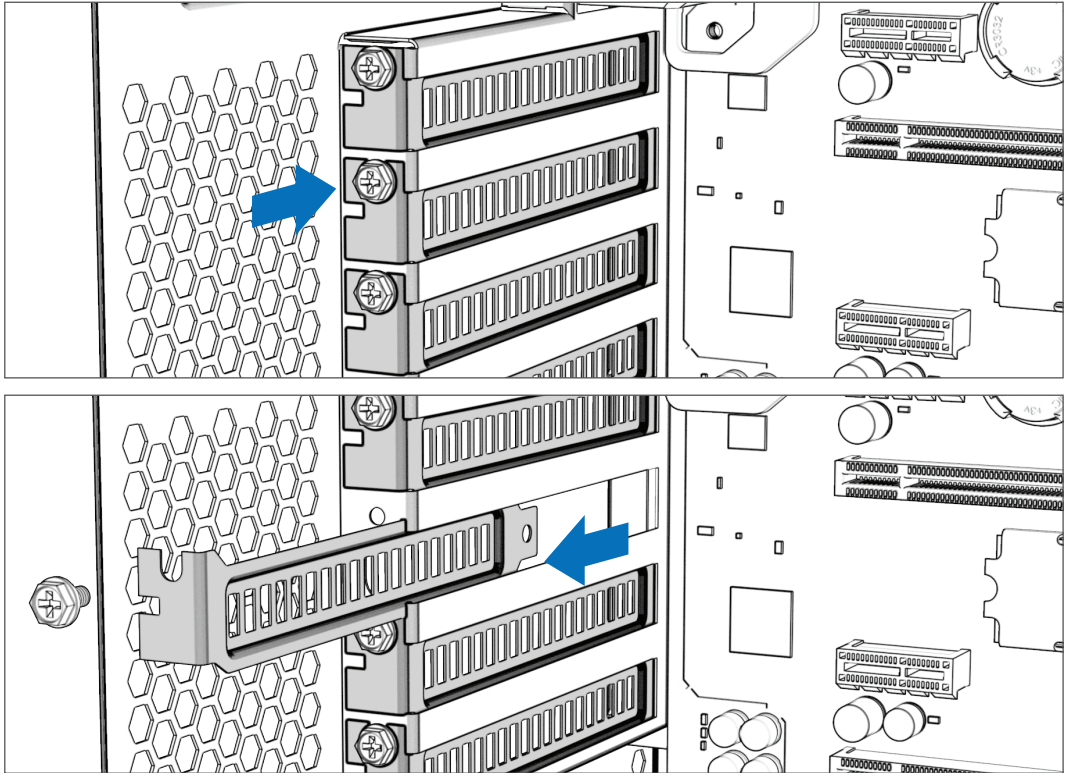


PCIe CARD INSTALLATION PROCEDURE

WARNING: TURN OFF YOUR COMPUTER AND UNPLUG THE POWER CORD BEFORE INSTALLING THE CARD.

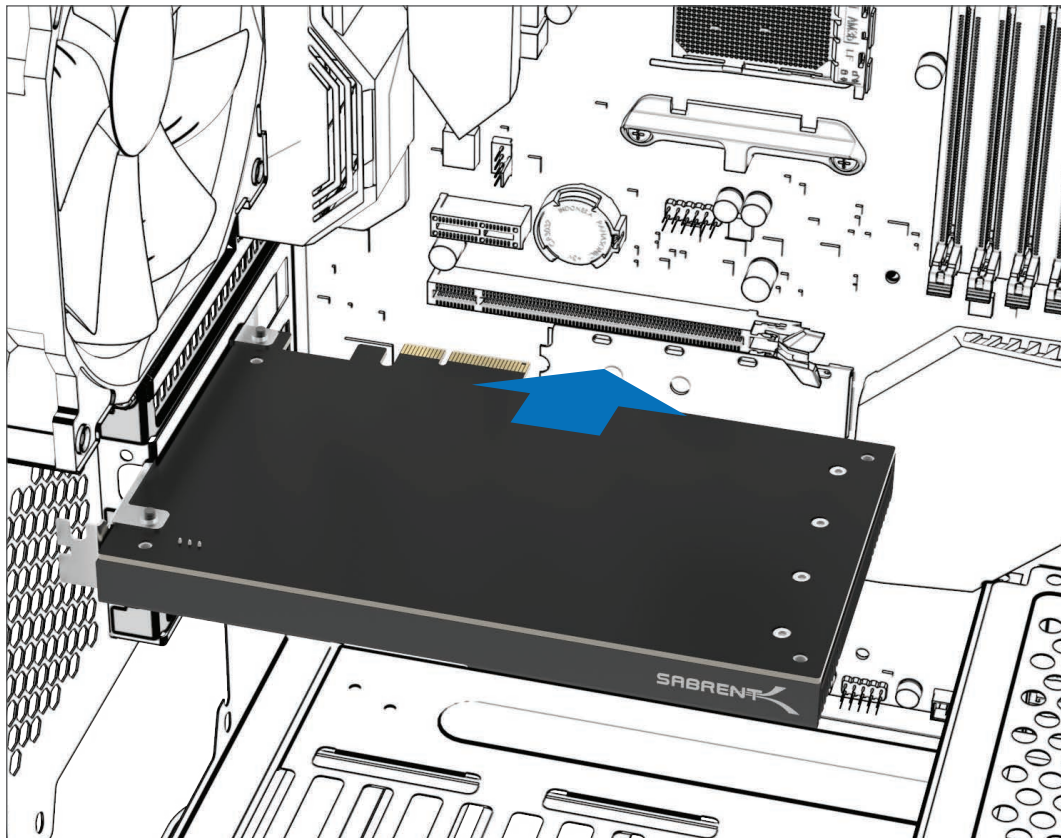


Remove the cover of your PC case to start the installation of the PCIe card.

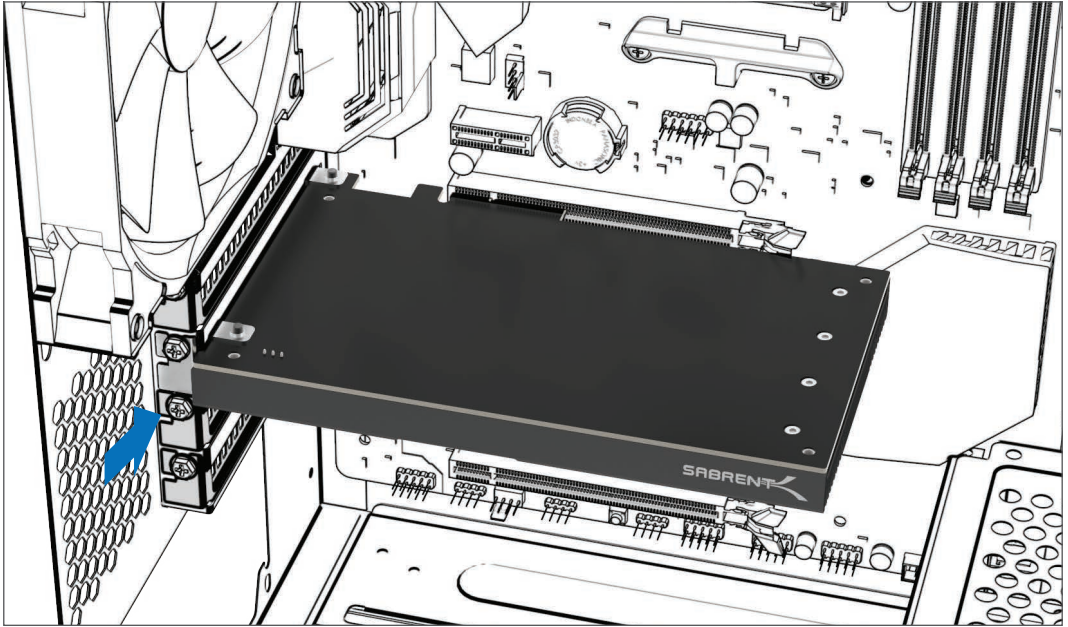


Remove the metal bay cover.

Each PCIe slot will have a bay associated with it on the back of the computer. When there's nothing installed, the bays are usually covered by small metal protectors. You can remove one by unscrewing the single screw holding it in place and then lifting it directly out of the case. Set the screw aside.



Install the PCIe card into an empty x4, x8, or x16 slot (it will not fit in x1 slots). Press the card firmly straight down into the slot. Ensure that the card is even and seated fully into the slot before continuing.



Secure the card.

Use the screw that you removed from the metal bay cover and use it to secure the card. Tighten the screw firmly but do not over-tighten or else it may strip.

At this point, the physical installation is complete. Close your computer, reconnect the power cord and start your operating system. If your SSDs were pre-partitioned and pre-formatted, and your operating system is up to date, you should be able to see the new disks.

Power will be supplied by the motherboard. There is no need for any additional power connections.



FOR HELP, COMMENTS, QUESTIONS OR CONCERNS
PLEASE CONTACT OUR TECH SUPPORT TEAM VIA OUR WEBSITE

WWW.SABRENT.COM