

SATA M.2 SSD (NGFF) USB 3.0 EXTERNAL ENCLOSURE

DESIGNED FOR SATA M.2 SSD'S B OR B+M KEY

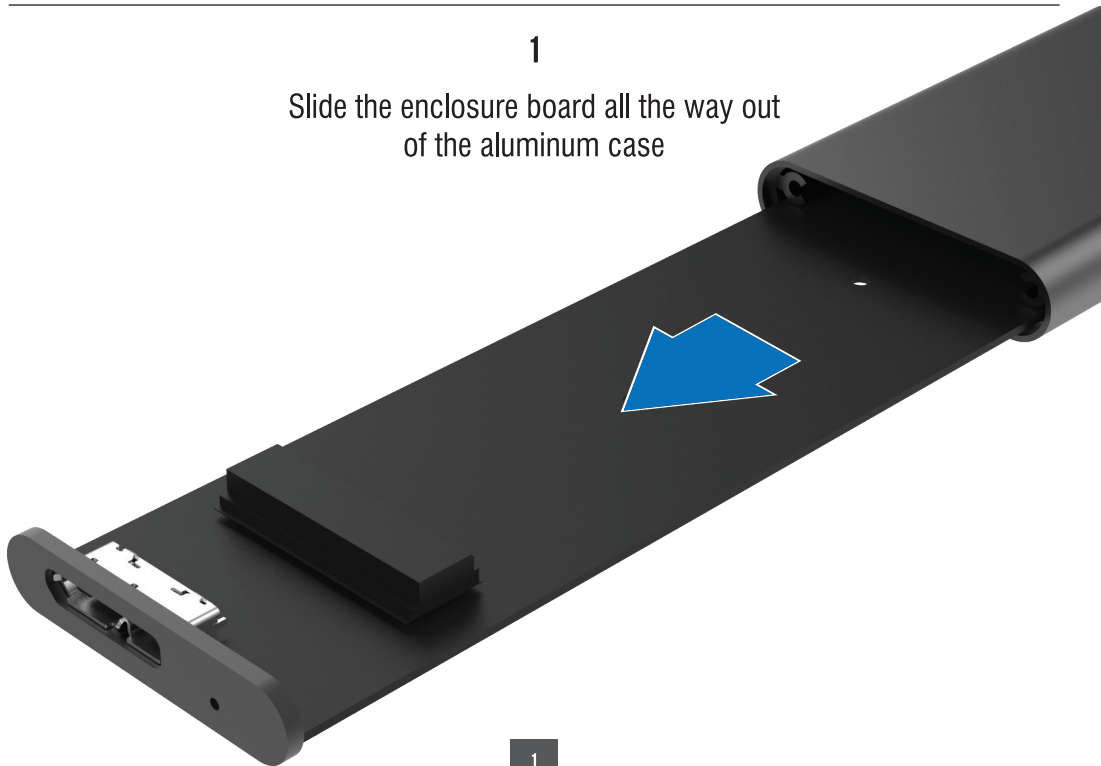


You can now turn your M.2 NGFF SSD drive into an External USB 3.0 Enclosure with the Sabrent EC-M2MC. Exclusively designed for M.2 NGFF SATA SSD B or B+M Key supporting 2242 (42mm), 2260 (60mm), and 2280 (80mm) size drives. Slim Aluminum casing, Plug & Play no driver install required.

INSTALLATION

1

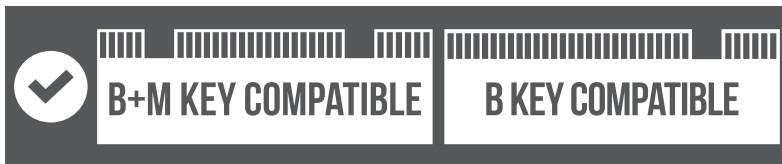
Slide the enclosure board all the way out of the aluminum case



1

2

Connect your M.2 SSD B or B+M Key to the board



Note: This is only for NGFF B or B+M Key

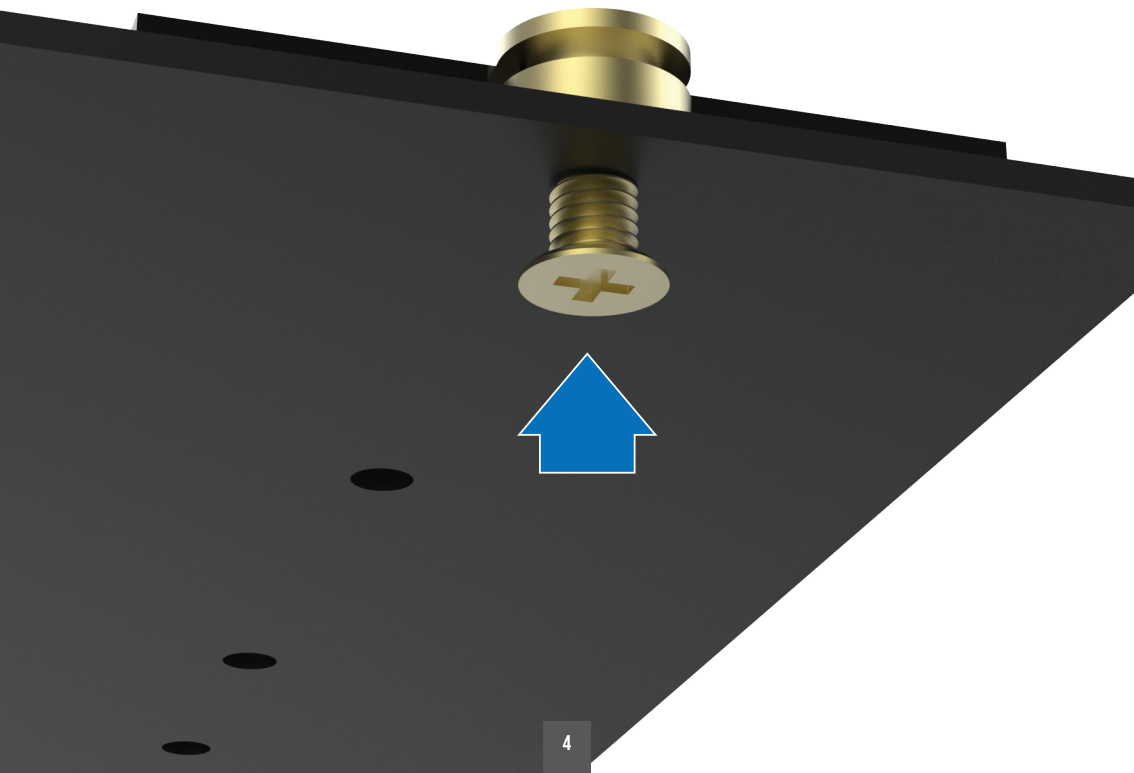
3

Insert the Screw Pin to the top
of your SSD drive



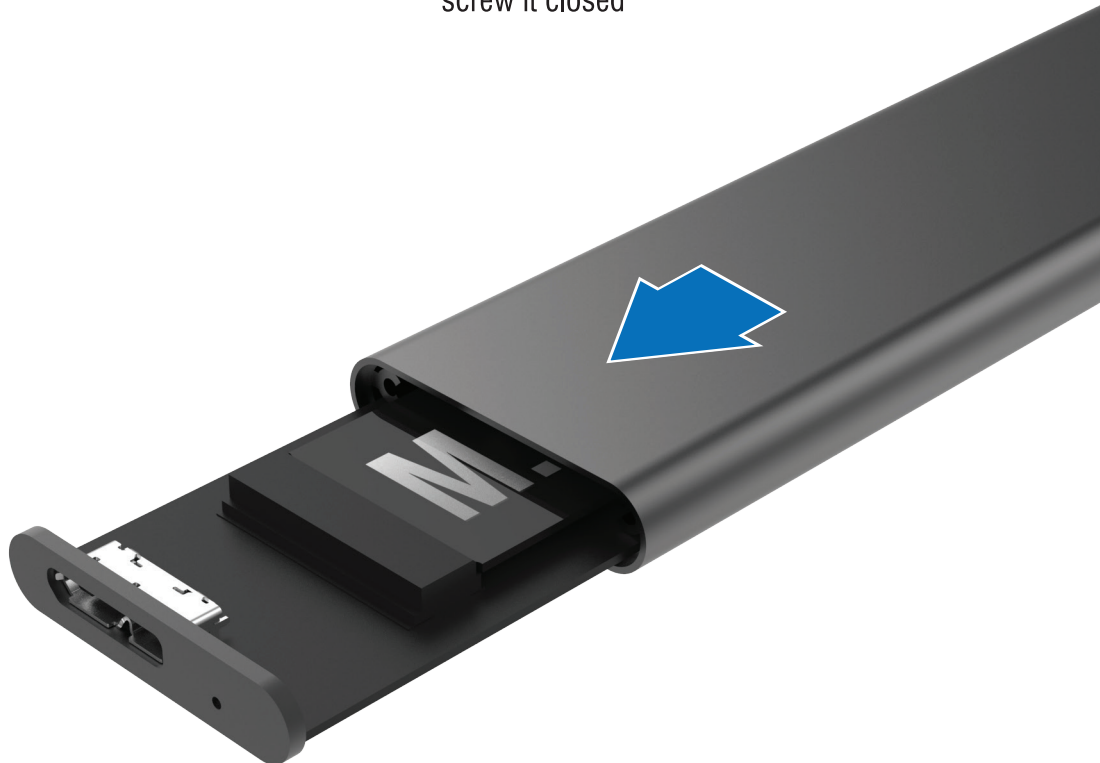
4

Lay the SSD down
and screw it in



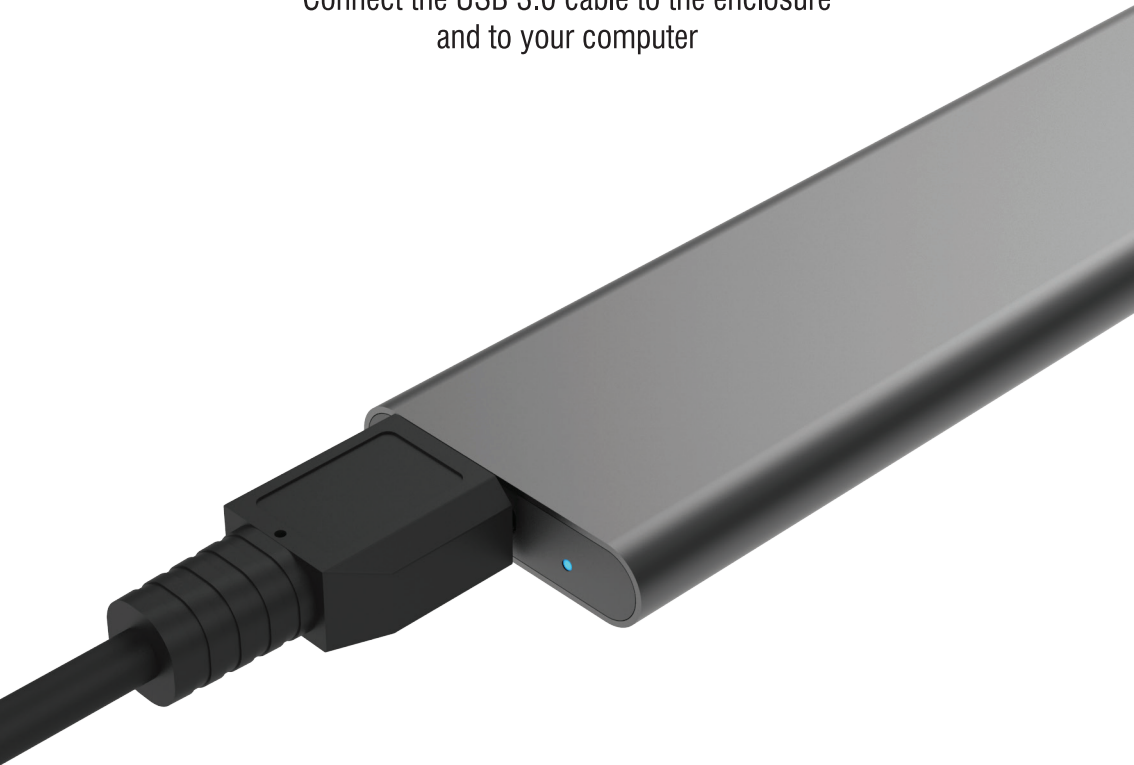
5

Slide it back into the Aluminum case,
screw it closed



6

Connect the USB 3.0 cable to the enclosure
and to your computer



Note: Blue LED will flicker when transferring data