



# ROCKET NVMe HEATSINK

HIGH PERFORMANCE COMBINED ALUMINUM AND COPPER HEATSINK



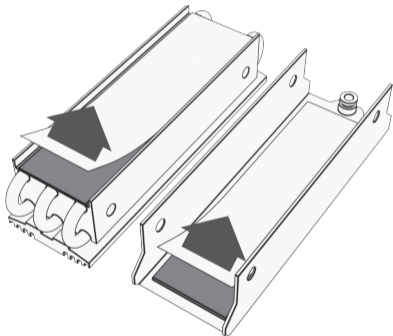
INSTALLATION GUIDE

# SABRENT ROCKET HEATSINK INSTALLATION GUIDE

When installing any NVMe PCIe GEN 4 directly onto a PCIe GEN 4 motherboard, a heatsink is required to dissipate the heat generated by the drive's extreme speed levels to avoid thermal throttling and to maximize the performance. Many PCIe GEN 4 motherboards are sold with a built in heatsink, so you're good to go without an added heatsink. Just follow the manufacturers user manual for the installation instructions. If your motherboard does not have a built in heatsink, we recommend using the **Sabrent Rocket Heatsink** for optimal performance.

NVMe PCIe extreme speeds generate excessive heat, to help dissipate the heat. **Sabrent** has developed a state of the art heatsink using the winning combination of copper and aluminum. The copper is used to absorb the heat from the drive, spreading it up to the grooved aluminum, giving the heat more air surface to cool off, therefore avoiding thermal throttling and maximizing the performance of your drive.

**1.** Make sure to remove the clear thermal tape protector from the thermal tape, placed both on the heatsink and on the tray, prior to placing the drive in the tray.



2. Identify if your SSD is a single sided or double-sided M.2 drive

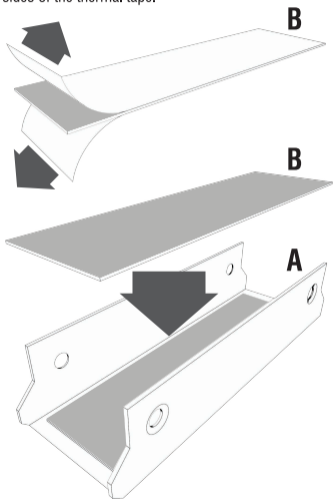
## SINGLE SIDED



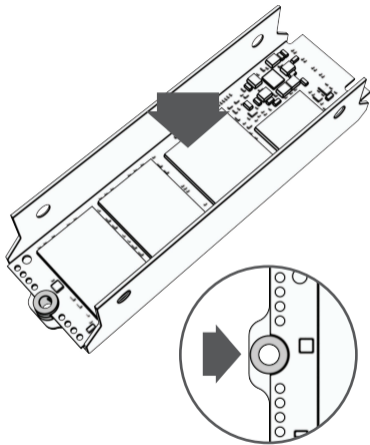
## DOUBLE SIDED

3. If your drive is a single sided drive please continue to step 4.
4. If your drive is double sided please skip to step 5.

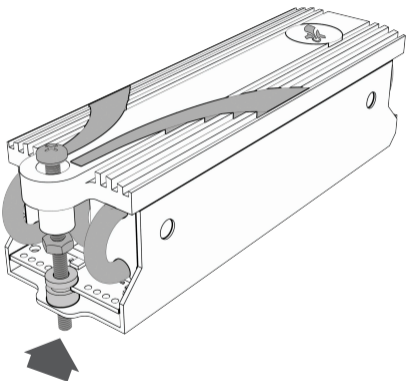
**4.** If your drive is a single sided drive apply the extra thermal tape provided (**B**) on top of the thermal tape that is already placed on the tray (**A**) after removing the clear protector from all sides of the thermal tape.



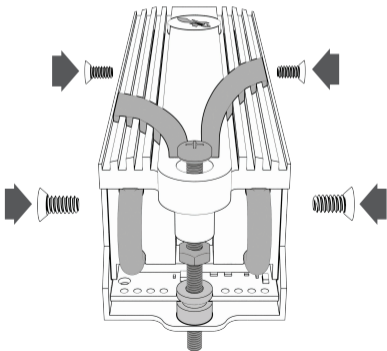
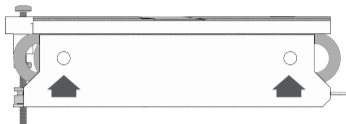
**5.** Place the SSD in the tray on the thermal tape and make sure the groove meant for the screw placed in the back of the drive is flush with the same groove that is in the back of the aluminum tray.



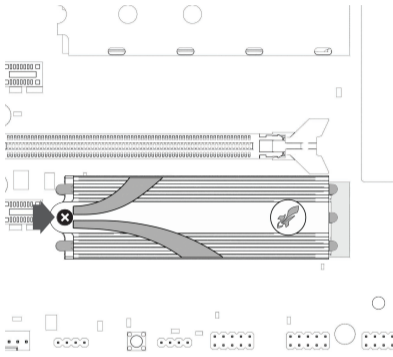
- 6.** Attach the tray with the drive to the heatsink ensuring that the side with the uneven coils are on the back, on the side of the groove meant for the screw.



7. Align the holes that are on the side of the tray with the screw holes that are on the side of the heatsink (you may need to apply pressure). Then, insert 2 screws on each side.



- 8.** Insert the drive (with the heatsink) to your motherboard into the M.2 slot. Then insert the included screw in the heatsink to secure to the motherboard.





**Please contact our Technical Support Team  
for additional troubleshooting**

[WWW.SABRENT.COM](http://WWW.SABRENT.COM)