

# THUNDERBOLT 4™ DOCKING STATION WITH MONITOR DESK MOUNT





## FEATURES

- Adjustable single monitor desk mount with gas-lift arm supporting standard VESA 75/100 mounting with monitors up to 32" and 10kg/22lbs
- Docking station with 1x Thunderbolt 4™ upstream host port and 1x Thunderbolt 4™ downstream port, both supporting up to 40Gbps transfer speeds and supporting display resolutions up to 4K@144Hz and 8K@60Hz (with DSC)
- Supports USB power delivery (PD3.0) to the host, charging up to 60W
- Single display output up to 8K@30Hz (DSC) over DP 1.4 and HDMI 2.1 ports plus display output up to 8K@60Hz/4K@144Hz (DSC) over a daisy-chain compatible TB4 port, all with HDR + HDCP2.3 support
- Triple display output up to 4K@60Hz with DP + HDMI + TB4 on Windows and dual display output support at up to 4K@60Hz using HDMI/DP + TB4 on macOS and Linux systems (verify Apple silicon chip compatibility)
- One USB-A and two USB-C ports with transfer speeds up to 10Gbps (USB 3.2 Gen 2x1) and 5V/3A charging for external storage plus an additional USB-A port with transfer speeds up to 5Gbps (USB 3.2 Gen 1x1) for a variety of USB peripherals devices including keyboards and mice
- UHS-II memory card reader slots for microSD and SD (4.0) memory cards with transfer speeds up to 312MBps
- Gigabit Ethernet (1GbE) 10/100/1000 RJ45 Ethernet port for fast Internet and network connectivity
- Single 3.5mm audio jack for audio input or stereo output

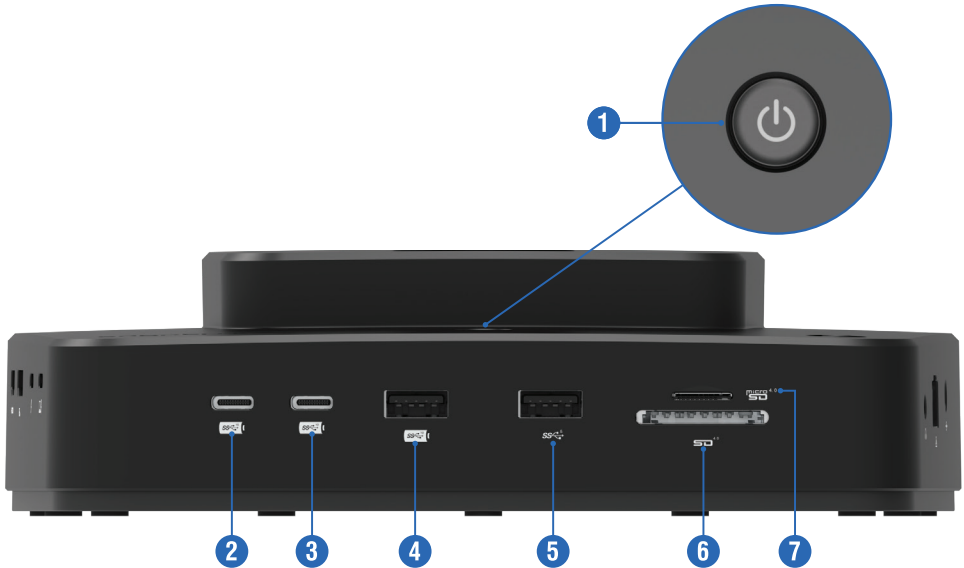
## SUPPORTED OPERATING SYSTEMS

- Windows
- macOS, iPadOS
- Linux, ChromeOS

## PACKAGE CONTENTS

- Thunderbolt 4™ Docking Station
- Power adapter (24V/5.41A, 130W)
- Thunderbolt 4™ cable (70cm)
- Single monitor arm and mounting kit
- User manual

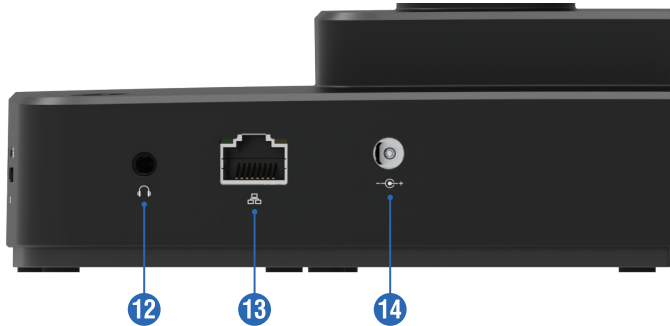
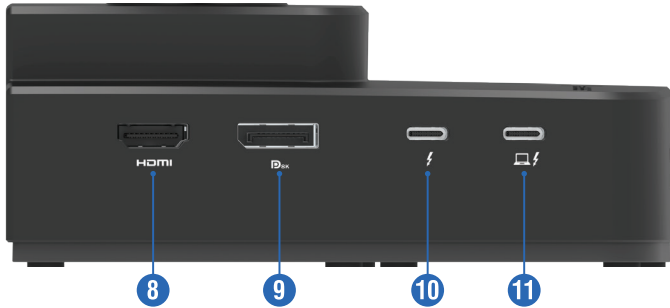
## DOCKING STATION OVERVIEW



1. Power button
2. USB-C 10Gbps port with 15W (5V/3A) PD
3. USB-C 10Gbps port with 15W (5V/3A) PD
4. USB-A 10Gbps port with 7.5W (5V/1.5A) PD

5. USB-A 5Gbps port with 5W (5V/1A) PD
6. SD (4.0) card reader slot
7. microSD (4.0) card reader slot

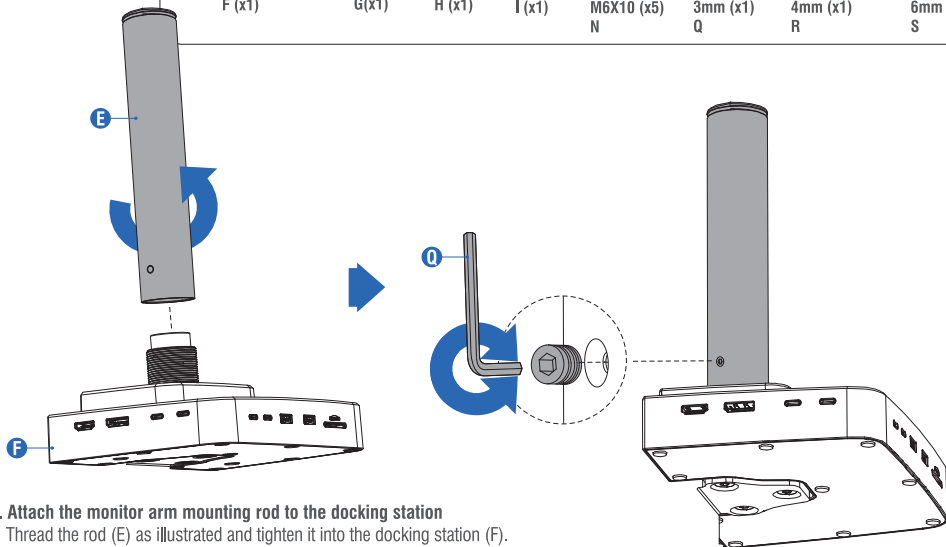
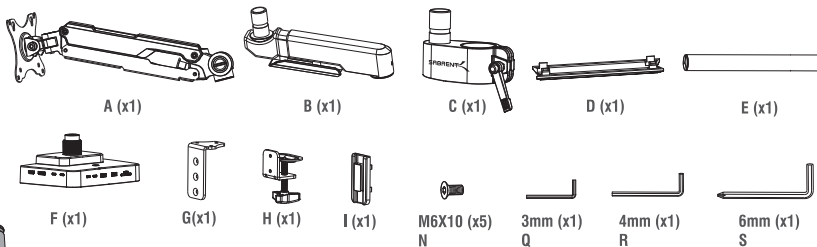
**Note:** USB-C ports 2 and 3 share the 15W power delivery budget.



- 8. HDMI 2.1 port
- 9. DisplayPort 1.4 port
- 10. Thunderbolt 4™ downstream port
- 11. Thunderbolt 4™ upstream port

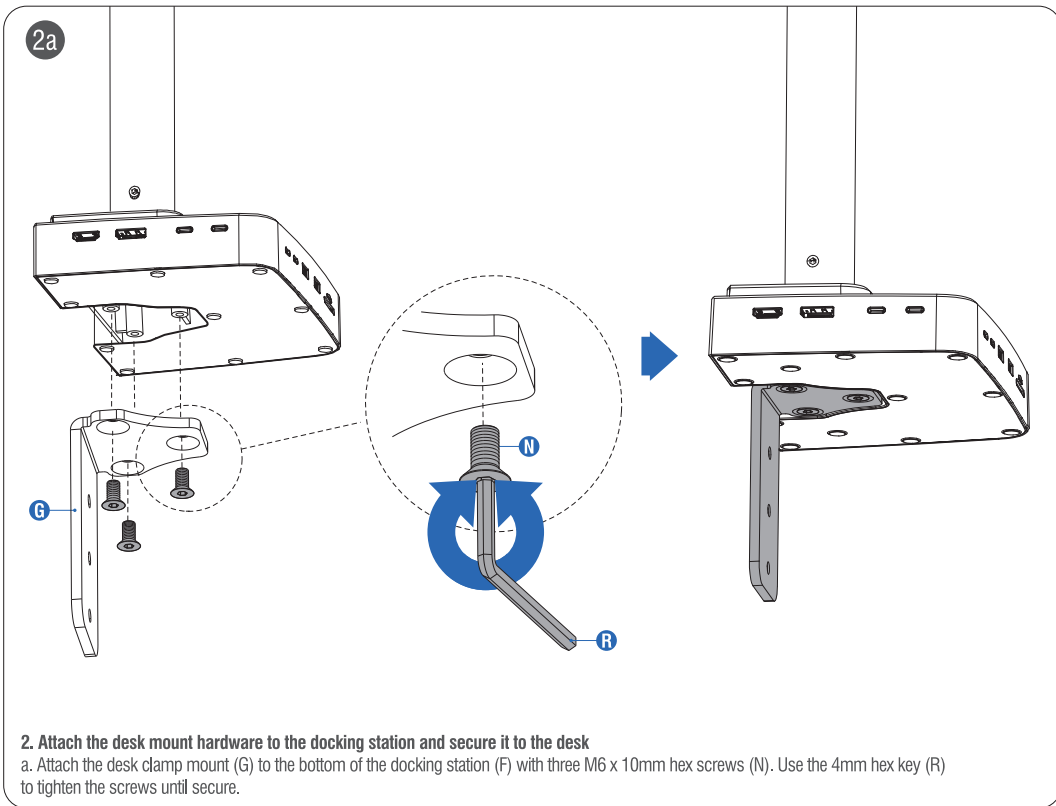
- 12. 3.5mm audio jack
- 13. RJ45 gigabit Ethernet port
- 14. DC Jack

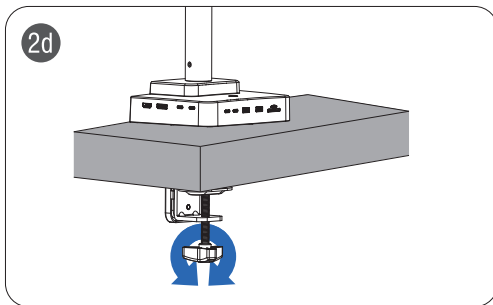
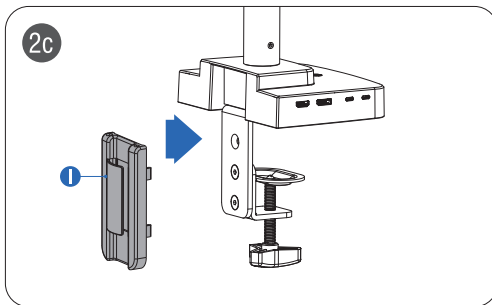
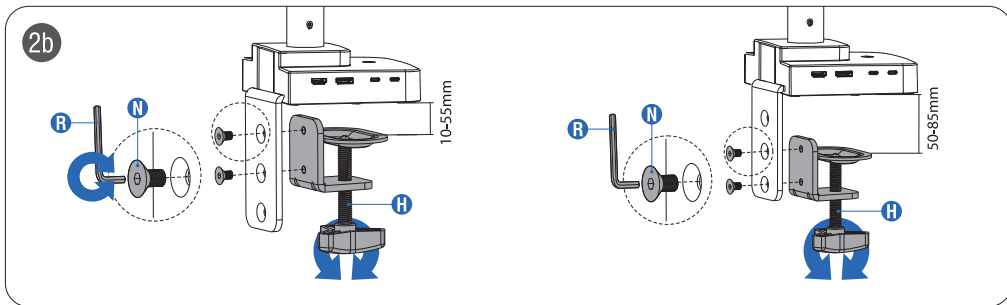
## DOCKING STATION AND MONITOR DESK MOUNT INSTALLATION

**1**


### 1. Attach the monitor arm mounting rod to the docking station

- Thread the rod (E) as illustrated and tighten it into the docking station (F).
- Lock into place with the hex screw with the corresponding 3mm key (Q).



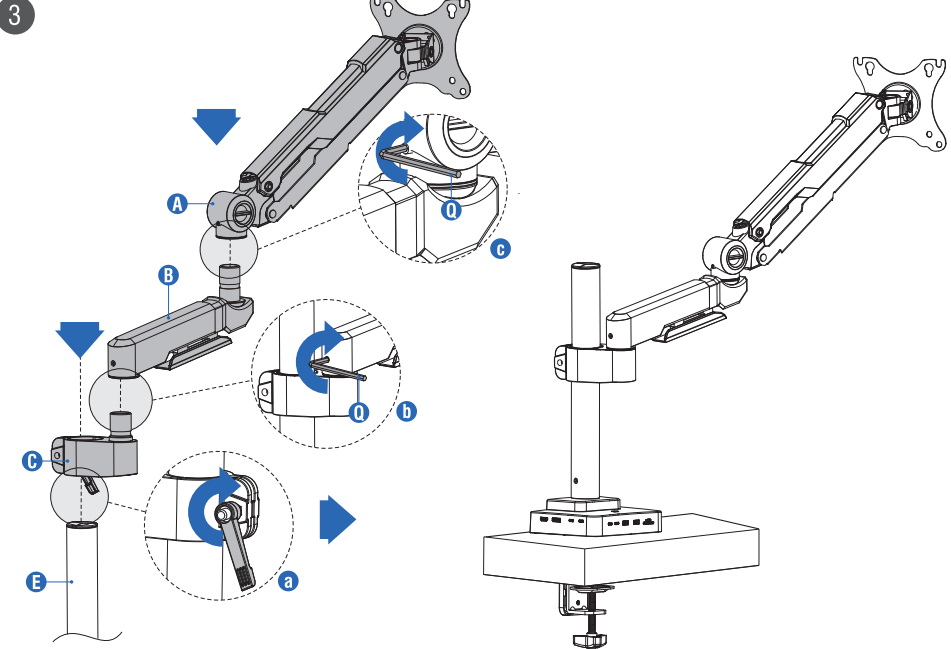


**2. Attach the desk mount hardware to the docking station and secure it to the desk continued...**

b. Secure the desk clamp onto the clamp mount with two M6 x 10mm hex screws (N) in either mounting position based on the thickness of your desk. (Position A - 10-55mm / Position B - 50-85mm). Use the 4mm hex key (R) to tighten the screws until secure.

c. Attach the cable clip (I) to the backside of the desk clamp mount (G) for cable management.

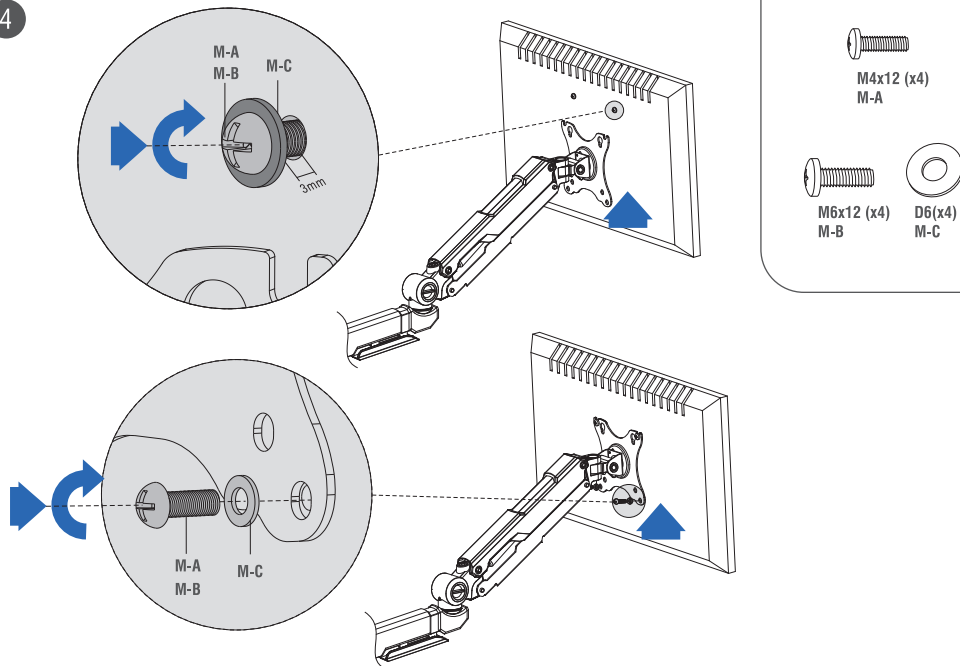
d. Install the monitor mount and docking station base onto your desk by placing it in your desired location and firmly tightening the clamp to the desk.



**3. Construct and attach the gas-lift monitor arm to the mounting rod and base**

- Connect the gas-lift arm parts (A), (B), and (C) as illustrated.
- Use the 3mm hex key (Q) to tighten the screws that lock (A), (B), and (C) together.
- Slide the arm mount clamp (C) onto the mounting rod (E) and tighten it with the integrated lever. The tightening lever features a convenient ratcheting mechanism for easier assembly (pull out on the ratchet arm and rotate to change its position).

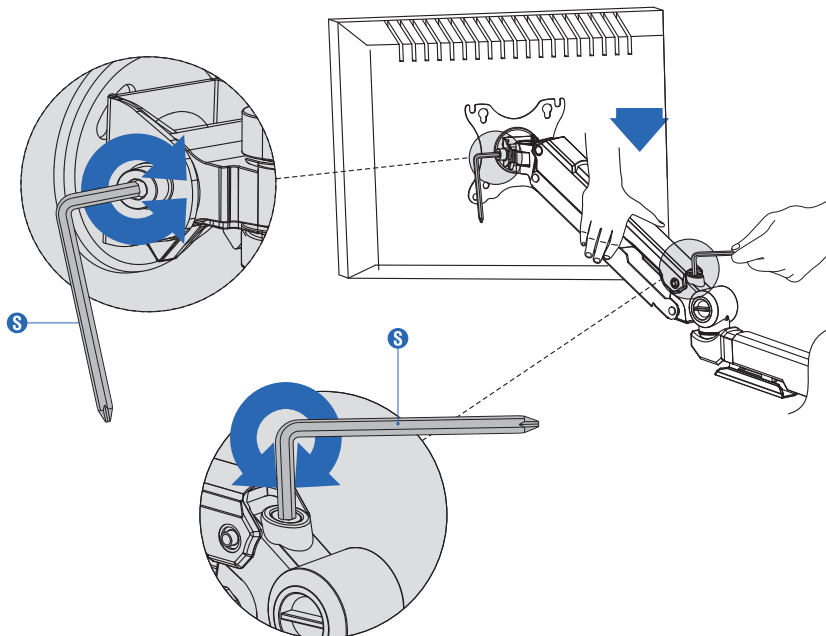
4



#### 4. Monitor mounting and installation

Align the VESA 75/100 mounting holes on the back of the monitors to the holes on the monitor arm mounts. Thread and tighten either the M4x12 (M-A) screws or M6x12 (M-B) screws depending on the appropriate size for the monitors. Be sure to use the included D6 washers (M-C) when securing the monitors into the gas-lift arm VESA 75/100 mount.

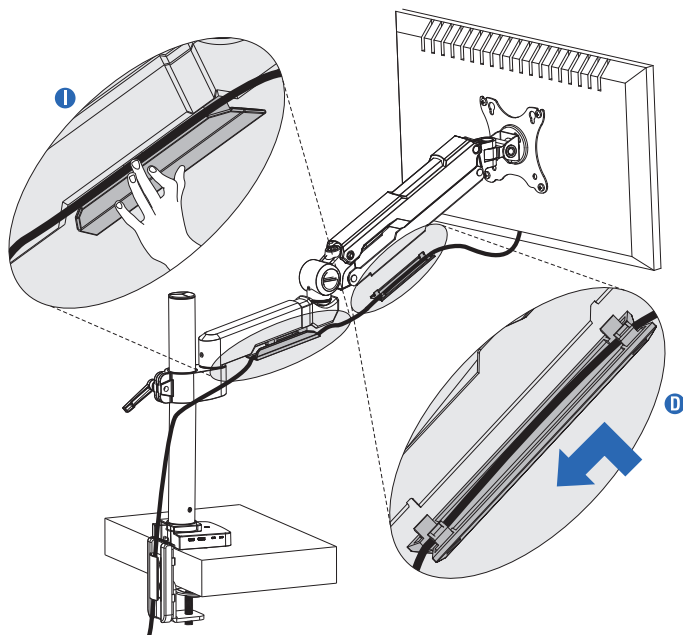
5



### 5. Adjust the monitor arm's gas-lift assistance

Based on the size and weight of your monitor, adjust the gas-lift assistance and position it as ergonomically as possible for your environment. Turn clockwise or counterclockwise to decrease or increase arm tension.

6

**6. Connect and conceal cables**

Connect all cables to the monitor and docking station, then connect other peripheral devices to the docking station. Use the included cable covers (D & I) to manage and conceal them.

## NOTES

- Display output is dependent on the host device hardware.
- This product is designed for Thunderbolt 4 devices. MST must be supported by the device and operating system for dual/triple display output.
- Compatible Mac and Linux devices must use the TB4 port as part of the display output pair for dual display.
- Apple silicon M1, M2 and M3 chips only support a single external display.

## FREQUENTLY ASKED QUESTIONS

### **Q: Can I extend to two additional, external displays?**

A: Yes, but the host device must support MST and one of the display output ports must be the Thunderbolt 4™ port for compatible Mac and Linux systems.

### **Q: I have a Mac with an Apple silicon M1, M2 or M3 chip and can only get a single external display to work. Is this expected?**

A: Yes, it's expected. Apple computers with M1, M2 and M3 chips only support a single external display due to their inherent hardware design limitations. Dual display output is not supported on these specific models.

### **Q: My Thunderbolt 4 Docking Station is not being recognized by my laptop. What should I do?**

A: Update any drivers and firmware for Thunderbolt on your system, if applicable. Ensure that the power supply is connected and the docking station is powered on. Also, make sure the Thunderbolt cable is securely connected at both ends, to the docking station and to your system. If problems remain, try testing with a different Thunderbolt cable and/or a different Thunderbolt port on the host system.

**Q: I'm experiencing video display issues when using the docking station. What can I do to troubleshoot this?**

A: Update your graphics drivers to the latest version, if applicable. Next, ensure that your display cable (HDMI, DisplayPort, TB4) is properly connected and securely plugged into both the docking station and the display. Verify that the monitor and the laptop support the chosen resolution and refresh rate. If problems remain, please test with a different monitor, display cable, and/or adapter to rule out hardware issues.

**Q: The USB devices connected to the docking station are not working as expected. What should I check?**

A: Check if the USB devices require additional drivers or software to function and install them if necessary. Also, verify that the USB and system drivers are up to date. Next, ensure that the USB devices are properly and securely connected to the docking station's USB ports. Also, check if the USB ports on the docking station are working by testing with different USB devices and, if possible, a different host system.

**Q: How can I verify if the Thunderbolt 4™ connection is operating at its maximum speed?**

A: Right-click on the Thunderbolt icon in the system tray (Windows) or go to System Preferences > Thunderbolt (macOS). Next, look for the Thunderbolt connection details, which should indicate the current link speed (for example, 40Gbps). If the link speed is lower than expected, ensure that you are using a Thunderbolt 4™ cable and that your device supports Thunderbolt 4™.





FOR HELP, COMMENTS, QUESTIONS OR CONCERNS  
PLEASE CONTACT OUR TECH SUPPORT TEAM VIA OUR WEBSITE  
**[WWW.SABRENT.COM](http://WWW.SABRENT.COM)**